



2022



Product catalog Security Systems

Made in Spain

CONTENTS

HD Camera	5	5-11
PTZ HD Camer	12	12
DVR	13	13-16
IP Camera	17	17-23
PTZ IP Camera	24	24
NVR	25	25-29
IP Camera pro	30	30-34
PTZ IP Camera pro	35	35-36
NVR pro	37	37-40
Accessories	41	41-43
Time Attendance	44	44-46
Turnstile Gates	47	47-53
Metal Detector Gates	54	54-57
HandHeld Metal Detector	58	58-59
X-Rays Gates	60	60-63

TOTAL PRODUCT

HD Camera



IP Camera



DVR



Time Attendance



NVR



X-Rays



Metal Detector



Turnstile Gates



Cameras Features



Wide Dynamic Range

Wide Dynamic Range (WDR) technology improves a camera's image quality under high-contrast lighting conditions where both dimly and brightly lit areas are present in the field of view. It enables the camera to capture details clearly in both the poorly and strongly illuminated areas of the video



Backlight compensation

Backlight compensation (BLC) is a setting that allows you to choose which areas of your scene should be properly exposed instead of letting the camera choose for you. More often than not, cameras like to automatically adjust exposure based on what it thinks is the primary scene



Infrared Cut Removable Filter

The cameras often include an Infrared Cut Removable Filter, also known as an ICR. The filter is in place during the day to block infrared light while passing visible lights and capture the clear images. At night, the filter moves away from the lens for surveillance in low light



On-Screen Display

An on-screen control panel is used to configure camera setting such as frame rate, resolution, contrast and brightness This way make it easy to control all camera setting remotely



3D Digital Noise Reduction

IID adopt 3D DNR to provide images with less noise in low-light surveillance scene.It can be used to enhance image quality and save bandwidth



Starlight

Starlight Cameras are cameras which have special sensors, which provide improved night vision in low light conditions. It can see things which our naked eyes cannot see



Smart IR

Smart IR is a technology built into some security cameras that allows the camera to reduce or increase the level of infrared light it projects based upon the subject's distance. This allows the image to not get "washed out" by over-exposing the subject



Digital Defog

Defog is a feature which has been implemented to help improve a camera's image performance in light foggy conditions. When 'Defog' mode is active the camera will automatically adjust its settings to help combat the effects of the fog



Corridor Mode

Corridor mode is a function which alters the field of view of a camera to suit narrow situations. The mode adjusts the image from the camera so that it shows a vertical image. This makes it great for settings such as hallways, tunnels, alleyways and modes of transport such as trains



Region of Interest

ROI (Region of Interest) in IP cameras allows to focus on providing the highest quality image for a selected region only. The remaining part of the image, outside the region of interest is recorded at lower quality or not recorded at all



Color Hunter

Color Hunter camera is coupled with a supplemental light for extremely dark scenarios. Color Hunter cameras guarantee video with colorful details when you need them. In addition, the Color Hunter camera can also work with smart intrusion prevention to further enhance the probability and accuracy of feature extraction



Light Hunter

Light Hunter Technology is an innovative technology that delivers vivid color, appropriate brightness, and extremely clear images in ultra-low light



Intrusion detection

Intrusion detection monitors an area by detecting and surveying movement to capture events. Cameras with intrusion detection function auto trigger the alarm and event-recording simultaneously, it automatically analyzes the intruders dimension ratio to reduce false alarm



Face detection

Face detection just means that a system is able to identify that there is a human face present in an image or video. Face detection has several applications, only one of which is facial recognition.



Line crossing detection

Line crossing detection function detects people, vehicles, or other objects which cross a pre-defined virtual line and then some certain functions can be performed when the alarm is triggered



Loitering detection

Loitering is an intelligent software detecting person or persons standing and waiting without any specific purpose somewhere within the vicinity of a security camera. Loitering solution is used for safety and security. The person or persons are detected in real-time by security cameras without any human interference



People gathering detection

Allows a reliable measurement of the number of people in a defined area, in many situations (demonstrations, cultural events ...). Thanks to this information and the generated alarms, measures can be taken quickly to guarantee everyone's safety



Audio detection

It is to judge if audio input is abnormal, such as clipping audio cable by people. It can activate record, snapshot and alarm according to the results. It can detect and analyze the surround sound or any sound surge for an alarm triggering when an exceptional voice occurs



Automatic Network Recovery

ANR function can automatically store video data on the IPC storage card when the network is disconnected. After recovery of the network, the NVR automatically retrieves the video data stored on the camera



Triple Stream

Triple streams means that the IP camera can output three different video stream to be send simultaneously, each of video streams can be configured with different resolution, frame rate, bitrate and codec type

2/5MP Full Color HD Camera

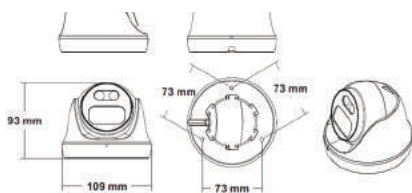
AD2S25M / AD5S25M



Key Features

- Full Color Dome
- 2.8mm Fixed Lens
- Support Warm white (4000K) up to 25m
- 4 IN 1 (AHD / CVI / TVI / CVBS)
- IP67 outdoor

Dimensions



Model NO.

AD2S25M

AD5S25M

Video Output Mode	AHD/TVI: 5M@20fps/12.5fps,4M@30/25/15fps, 2M@30/25fps; CVI: 4M@30/25fps,2M@30/25fps	AHD/TVI: 8M@15fps, 5M@20fps/12.5fps, 4M/2M@30fps/25fps; CVI: 8M@15fps,4M/2M@30fps/25fps
-------------------	--	--

Camera

Image Sensor	1/3" CMOS Sensor	1/2.5" CMOS Sensor
Image Resolution	5M:2592*1944 4M:2560*1440 2M:1920*1080	8M:3840*2160 5M:2592*1944 4M:2560*1440 2M:1920*1080
TV System	PAL/NTSC	
Electronic Shutter	AUTO	
Scanning System	Progressive Scan	

Lens

Focus Length	2.8mm
Focus Control	Fixed
Lens Type	Fixed

Night Vision

IR Cut Filter	YES
Infrared LED	NO. Support Warm white (4000K)
Light Distanc	up to 25m
IR Status	AGC Auto Control

Camera Features

Starlight	/
Day/Night	color
OSD Menu	YES
WDR	DWDR /
UTC	YES
Noise Reduction	DNR 3DNR
Coaxial Audio	/
White Balance	AUTO / MANUAL
Gain Control	AUTO

General

Housing	Metal, IP67
Bracket	Optional
Operation Temperature	-10°C ~ +60°C RH95% Max
Storage Temperature	-20°C ~ +60°C RH95% Max
Power Source	DC12V±10%, 450mA
Dimension	∅ 109 x 93(H) mm
Weight	800g

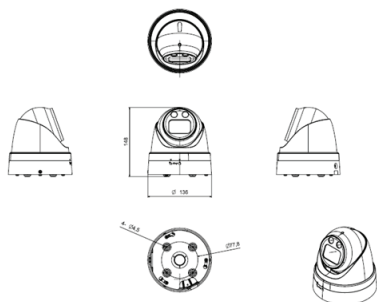
2/5MP Full Color HD Camera AD2S30MZA / AD5S30MZA



Key Features

- Full Color Dome
- 2.8-12mm/2.7-13.5mm Motorized Lens
- Support Warm white (4000K) up to 30m
- 4 IN 1 (AHD / CVI / TVI / CVBS)
- IP67 outdoor

Dimensions



Model NO.	AD2S30MZA	AD5S30MZA
Video Output Mode	AHD/TVI/CVI: 2M@30fps/25fps	AHD: 8M@15fps, 5M@20fps/12.5fps, 4M/2M@30fps/25fps; CVI: 8M@15fps/12.5fps, 4M/2M@30fps/25fps TVI: 8M@15fps/12.5fps, 5M@20fps/12.5fps, 4M/2M@30fps/25fps

Camera

Image Sensor	1/2.8" SONY Starvis Back-illuminated CMOS Sensor	
Image Resolution	2M:1920*1080	8M:3840*2160 5M:2592*1944 4M:2560*1440 2M:1920*1080
TV System	PAL/NTSC	
Electronic Shutter	Auto	
Scanning System	Progressive Scan	

Lens

Focus Length	2.8-12mm Motor Zoom	2.7-13.5mm Motor Zoom
Focus Control	Auto	
Lens Type	Auto	

Night Vision

IR Cut Filter	YES
Infrared LED	NO, Support Warm white (4000K)
Light Distance	up to 30m
IR Status	AGC auto control

Camera Features

Starlight	YES
Day/Night	YES/NO
OSD Menu	YES
WDR	YES
UTC	YES
Noise Reduction	3DNR
Coaxial Audio	/
White Balance	AUTO / MANUAL
Gain Control	AUTO

General

Housing	Metal, IP67
Bracket	NO
Operation Temperature	-10°C ~ +60°C RH95% Max
Storage Temperature	-20°C ~ +60°C RH95% Max
Power Source	DC12V±10%, 1000mA
Dimension	φ 136 x 148(H)mm
Weight	1700g

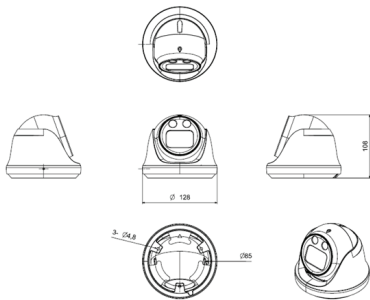
2/5MP Full Color HD Camera AD2S30MZB / AD5S30MZB



Key Features

- Full Color Dome
- 2.8-12mm/2.7-13.5mm Motorized Lens
- Support Warm white (4000K) up to 30m
- 4 IN 1 (AHD / CVI / TVI / CVBS)
- IP67 outdoor

Dimensions



Model NO.

AD2S30MZB

AD5S30MZB

Video Output Mode	AD2S30MZB	AD5S30MZB
	AHD/TVI/CVI: 2M@30fps/25fps	AHD: 8M@15fps, 5M@20fps/12.5fps, 4M/2M@30fps/25fps; CVI: 8M@15fps/12.5fps, 4M/2M@30fps/25fps TVI: 8M@15fps/12.5fps, 5M@20fps/12.5fps, 4M/2M@30fps/25fps;

Camera

Image Sensor	1/2.8" SONY Starvis Back-illuminated CMOS Sensor	
Image Resolution	2M:1920*1080	8M:3840*2160 5M:2592*1944 4M:2560*1440 2M:1920*1080
TV System	PAL/NTSC	
Electronic Shutter	Auto	
Scanning System	Progressive Scan	

Lens

Focus Length	2.8-12mm Motor Zoom	2.7-13.5mm Motor Zoom
Focus Control	Auto	
Lens Type	Auto	

Night Vision

IR Cut Filter	YES
Infrared LED	NO, Support Warm white (4000K)
Light Distance	up to 30m
IR Status	AGC auto control

Camera Features

Starlight	YES
Day/Night	YES/NO
OSD Menu	YES
WDR	YES
UTC	YES
Noise Reduction	3DNR
Coaxial Audio	/
White Balance	AUTO / MANUAL
Gain Control	AUTO

General

Housing	Metal, IP67
Bracket	NO
Operation Temperature	-10°C ~ +60°C RH95% Max
Storage Temperature	-20°C ~ +60°C RH95% Max
Power Source	DC12V±10%, 1000mA
Dimension	∅ 128 x 108(H)mm
Weight	800g

2/5MP Full Color HD Camera

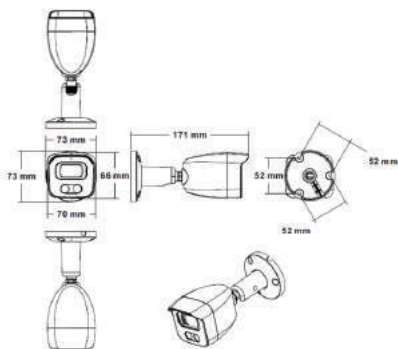
AB2S25M / AB5S25M



Key Features

- Full Color Bullet
- 4 IN 1 (AHD / CVI / TVI / CVBS)
- 3.6mm Fixed Lens
- Support Warm white (4000K) up to 25m
- IP67 outdoor

Dimensions



Model NO.

AB2S25M

AB5S25M

Video Output Mode	AB2S25M	AB5S25M
	AHD/TVI: 5M@20fps/12.5fps, 4M@30fps, 2M@30fps; CVI: 4M@30fps, 2M	AHD: 8M@15fps, 5M@20fps/12.5fps, 4M/2M@30fps/25fps; TVI/CVI: 8M@15fps/12.5fps, 5M@20fps/12.5fps; 4M/2M@30fps/25fps

Camera

Image Sensor	1/3" CMOS Sensor	1/2.5" CMOS sensor
Image Resolution	5M:2592*1944 4M:2560*1440 2M:1920*1080	8M:3840*2160 5M:2592*1944 4M:2560*1440 2M:1920*1080
TV System	PAL/NTSC	
Electronic Shutter	Auto	
Scanning System	Progressive Scan	

Lens

Focus Length	3.6mm
Focus Control	Fixed
Lens Type	Fixed

Night Vision

IR Cut Filter	YES
Infrared LED	NO. Support Warm white (4000K)
Light Distance	up to 25m
IR Status	AGC auto control

Camera Features

Starlight	/
Day/Night	Color
OSD Menu	YES
WDR	DWDR
UTC	YES
Noise Reduction	DNR
Coaxial Audio	/
White Balance	AUTO / MANUAL
Gain Control	AUTO

General

Housing	Metal, IP67
Bracket	YES
Operation Temperature	-10°C ~ +60°C RH95% Max
Storage Temperature	-20°C ~ +60°C RH95% Max
Power Source	DC12V±10%, 450mA
Dimension	171(W) x 73(H) x 73(D)mm
Weight	750g

2/5MP Full Color HD Camera

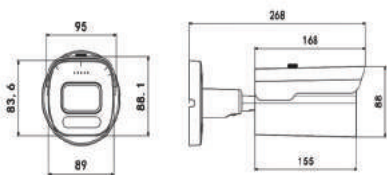
AB2S40MZ / AB5S40MZ



Key Features

- Full Color Bullet
- 2.8-12mm / 2.7-13.5mm Motorized Lens
- Support Warm white (4000K) up to 40m
- 4 IN 1 (AHD / CVI / TVI / CVBS)
- IP67 outdoor

Dimensions



Model NO.	AB2S40MZ	AB5S40MZ
Video Output Mode	AHD/TVI/CVI: 2M@30fps/25fps	AHD: 8M@15fps, 5M@20fps/12.5fps, 4M/2M@30fps/25fps; CVI: 8M@15fps/12.5fps, 4M/2M@30fps/25fps TVI: 8M@15fps/12.5fps, 5M@20fps/12.5fps, 4M/2M@30fps/25fps;

Camera

Image Sensor	1/2.8" SONY Starvis Back-illuminated CMOS Sensor	
Image Resolution	2M:1920*1080	8M:3840*2160 5M:2592*1944 4M:2560*1440 2M:1920*1080
TV System	PAL/NTSC	
Electronic Shutter	Auto	
Scanning System	Progressive Scan	

Lens

Focus Length	2.8-12mm Motor Zoom	2.7-13.5mm Motor Zoom
Focus Control	Auto	
Lens Type	Auto	

Night Vision

IR Cut Filter	YES
Infrared LED	NO, Support Warm white (4000K)
Light Distance	up to 40m
IR Status	AGC auto control

Camera Features

Starlight	YES
Day/Night	YES/NO
OSD Menu	YES
WDR	YES
UTC	YES
Noise Reduction	3DNR
Coaxial Audio	/
White Balance	AUTO / MANUAL
Gain Control	AUTO

General

Housing	Metal, IP67
Bracket	YES
Operation Temperature	-10°C ~ +60°C RH95% Max
Storage Temperature	-20°C ~ +60°C RH95% Max
Power Source	DC12V±10%, 750mA
Dimension	268(W) x 95(H) x 88(D)mm
Weight	1.5Kg

2/5MP Full Color HD Camera

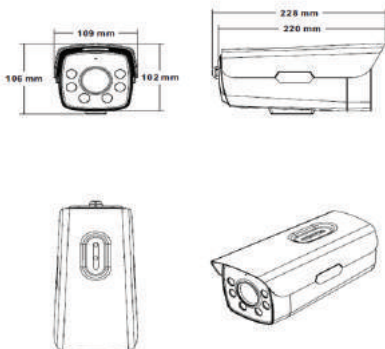
AB2S60MZ / AB5S60MZ



Key Features

- Full Color Bullet
- 2.8-12mm / 2.7-13.5mm Motorized Lens
- Support Warm white (4000K) up to 60m
- 4 IN 1 (AHD / CVI / TVI / CVBS)
- IP67 outdoor

Dimensions



Model NO.	AB2S60MZ	AB5S60MZ
Video Output Mode	AHD/TVI/CVI: 2M@30fps/25fps	AHD: 8M@15fps, 5M@20fps/12.5fps, 4M/2M@30fps/25fps; CVI: 8M@15fps/12.5fps, 4M/2M@30fps/25fps TVI: 8M@15fps/12.5fps, 5M@20fps/12.5fps, 4M/2M@30fps/25fps;

Camera

Image Sensor	1/2.8" SONY Starvis Back-illuminated CMOS Sensor	
Image Resolution	2M:1920*1080	8M:3840*2160 5M:2592*1944 4M:2560*1440 2M:1920*1080
TV System	PAL/NTSC	
Electronic Shutter	Auto	
Scanning System	Progressive Scan	

Lens

Focus Length	2.8-12mm Motor Zoom	2.7-13.5mm Motor Zoom
Focus Control	Auto	
Lens Type	Auto	

Night Vision

IR Cut Filter	YES	
Infrared LED	NO, Support Warm white (4000K)	
Light Distance	up to 60m	
IR Status	AGC auto control	

Camera Features

Starlight	YES
Day/Night	YES/NO
OSD Menu	YES
WDR	YES
UTC	YES
Noise Reduction	3DNR
Coaxial Audio	/
White Balance	AUTO / MANUAL
Gain Control	AUTO

General

Housing	Metal, IP67
Bracket	YES
Operation Temperature	-10°C ~ +60°C RH95% Max
Storage Temperature	-20°C ~ +60°C RH95% Max
Power Source	DC12V±10%, 1000mA
Dimension	220(W) x 109(H) x 106(D)mm
Weight	2.15Kg

2MP PTZ Camera

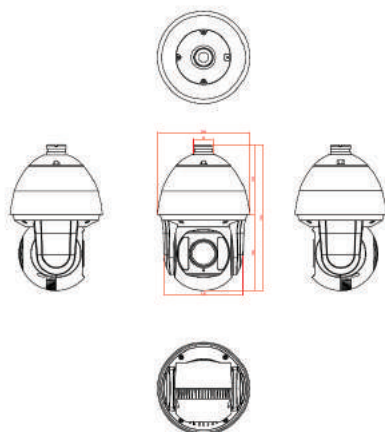
APTD2I33/ APTD2I18



Key Features

- 1/2.9" SONY 2.1MP CMOS Sensor
- 3 IN 1 (AHD / HD- TVI / CVBS)
- IR Distance 120m max
- IP66 out door

Dimensions



Model NO.

APTD2I33

APTD2I18

Camera

Image Sensor	1/2.9" SONY 2.1MP CMOS Sensor	
Image Resolution	2MP	
TV System	PAL/NTSC	
S/N Ratio	>50db	

PTZ

Horizontal Rotation Speed	120°/S	
Horizontal Rotation Range	0°~360°	
Tilt Rotation Speed	30°/s	
Tilt Rotation Range	0°~93°	
Preset Points	220	
Guard Tours	3 groups	
Guard Points	Max.16 points	

Lens

Focus Length	4.6mm-152mm	5.35mm-96.3mm
Focus Control	33X Optical Zoom	18X Optical Zoom

Night Vision

Infrared LED	ϕ 42x6PCS IR LEDS + 2PCS Laser Lamp	
IR Range	120m	
Day-night mode	AUTO	

Communication

UTC	Support	
RS485	Support	

Interface

Audio	/	
Alarm	/	

General

Weatherproof	IP66	
Operating Temperature	Indoor: 0°~ +40° Outdoor: -40°~ +60°	
Operating Humidity	≤90% Non-Condensing	
Power	DC12V/4A	
Lightning Protection	Transient voltage 6000V	
Size of Package (LxWxH)	31x31x44(cm)	
Weight	10.7Kgs	

Digital Video Recorder

XVR4A9D5M1S

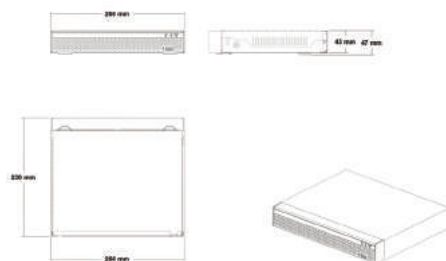


DVR

Key Features

- Support AHD/CVI/TVI/IP/Analog Camera Input
- Up to HD 5MP and IP 5MP Resolution Recording
- Support HD and VGA Video Output
- Support Max. 4CH HD or 9CH IP Camera Input
- Support 1 SATA up to 8TB Capacity

Dimensions



Rear panel



Model NO. XVR4A9D5M1S

Video

Input	Normal Mode: Analog: 4*(TVI/AHD: 5M@12fps; AHD/TVI/CVI: 4M@15fps; AHD/TVI: 3M@18fps; AHD/TVI/CVI: 1080P/720P; Analog: 960H) Analog Network: 2*Analog(TVI/AHD: 5M@12fps; AHD/TVI/CVI: 4M@15fps; AHD/TVI: 3M@18fps; AHD/TVI/CVI: 1080P/720P; Analog: 960H)+4*network(MAX 2MP) Network: 9*5MP/4MP/3MP/1080P/960P/720P(Total incoming bandwidth ≤48M)
Signal Type	Analog/AHD/CVI/TVI 2.0/TVI 3.0/Network
Output	1HD,1 VGA

Audio

Input	1 Channel, RCA
Two-way Audio	NO
Output	1 Channel, RCA

Alarm

Sensor Input	NO
Output	NO
Motion Detection	4 Channel(max 9 Channel in pure network mode)
Trigger Events	Recording, Email, Screen tips, Buzzer, Push notifications(motion detection)
Email Alarm	Send Image to The Designated E-mail

PTZ

Interface	RS485
Protocol	Pelco-D, Pelco-P
Baud Rate	110~921600
Address	0~255

Display

VGA	Resolution: 1920 × 1080P/60Hz, 1280 × 1024/60Hz, 1280 × 720/60Hz, 1024 × 768/60Hz
HD Output	Resolution:1920 × 1080P/60Hz, 1280 × 1024/60Hz, 1280 × 720/60Hz, 1024 × 768/60Hz
Display Split	9 Channel/4 Channel / 1Channel
Privacy Masking	3 Rectangular Zones (Each camera)
OSD	Camera title, Time, Video loss, Alarm, Motion detection, Recording

Recording

Video Compression	H.265/H.264
Audio Compression	G.711U/G.711A
Resolution	5MP_Lite(1296×1952),4MP_Lite(1280×1440),3MP_Lite(1024×1536),1080N(960×1080),720P(1280×720),960H(P:960×576/N:960×480)
Video Quality	Lowest/Low/Ordinary/Good/Better/Best

Playback & Backup

Decode Capability	2CH 1080P@30fps
Sync Playback	Pure Analog: 4CH 960H@25fps, 2CH 720P@20fps, 2CH 1080N@18fps, 1CH 5M_LITE@8fps, 1CH 4M_LITE@15fps, 1CH 3M_LITE@18fps Mixture mode: 4CH 720P@25fps, 2CH 1080P@25fps, 1CH 5M_LITE@8fps, 1CH 4M_LITE@15fps, 1CH 3M_LITE@18fps Pure Network: 4CH*720P@25fps, 2CH 1080P@25fps, 1CH 5MP@25fps
Remote Playback	1 Channel
Smart Phone Playback	4 Channel
Backup Mode	USB Device(with form at FAT 32)/Network/FTP

Network

Interface	1 RJ45 10M/100M Adaptive Ethernet Interface
-----------	---

Hard Disk Driver

Interface Type	1 SATA Interface
Capacity	1 SATA Hard Disk (2.5"/3.5" SATA, Up to 8TB)

General

UTC Control	YES
USB Interface	2 USB 2.0 Interfaces
Power consumption	DC 12V/2A ≤4W (Without Hard Disk)
Working Environment	-10~55°C/10~90%
Dimension (W×D×H)	260*215*43(mm)
Weight	2kg (Without HDD)

Digital Video Recorder

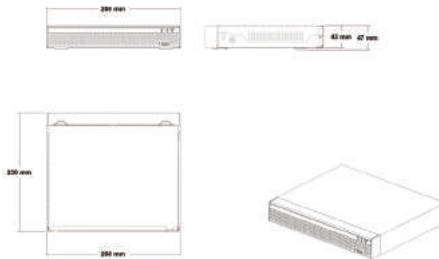
XVR8A16D5M1S



Key Features

- Support AHD/CVI/TVI/IP/Analog Camera Input
- Up to HD 5MP and IP 5MP Resolution Recording
- Support HD Output. VGA and CVBS Video Output
- Support Max. 8CH HD or 16CH IP Camera Input
- Support 1 SATA up to 8TB Capacity

Dimensions



Rear panel



Model NO. XVR8A16D5M1S

Video	
Input	Normal Mode: Analog: 8*(TVI/AHD: 5M@12fps; AHD/TVI/CVI: 4M@15fps; AHD/TVI: 3M@18fps; AHD/TVI/CVI: 1080P/720P; Analog: 960H) Analog + Network: 2*Analog(5MP)+7*network(MAX 5MP),4*Analog(5MP)+5*network(MAX 5MP),6*Analog(5MP)+3*network(MAX 5MP) Network: 16*5MP/4MP/3MP/1080P/960P/720P(Total incoming bandwidth ≤48M)
Signal Type	Analog/AHD/CVI/TVI 2.0/TVI 3.0/Network
Output	1HD,1 VGA, CVBS
Audio	
Input	2 Channel, RCA
Two-way Audio	NO
Output	1 Channel, RCA
Alarm	
Sensor Input	4 CH
Output	1 CH
Motion Detection	8 Channel(max 16 Channel in pure network mode)
Trigger Events	Recording, Email, Screen tips, Buzzer, Push notifications(motion detection)
Email Alarm	Send Image to The Designated E-mail
PTZ	
Interface	RS485
Protocol	Pelco-D, Pelco-P
Baud Rate	110~921600
Address	0~255
Display	
VGA	Resolution: 1920 × 1080P/60Hz, 1280 × 1024/60Hz, 1280 × 720 60Hz,1024 × 768/60Hz
HD Output	Resolution: 1920 × 1080P/60Hz, 1280 × 1024/60Hz, 1280 × 720/60Hz,1024 × 768/60Hz
Display Split	16 Channel/9 Channel/8 Channel/4 Channel / 1Channel
Privacy Masking	3 Rectangular Zones (Each camera)
OSD	Camera title, Time, Video loss, Alarm, Motion detection, Recording
Recording	
Video Compression	H.265+/H.265/H.264+/H.264
Audio Compression	G.711U/G.711A
Resolution	5MP_Lite(1296×1952),4MP_Lite(1280×1440),3MP_Lite(1024×1536),1080N(960×1080),720P(1280×720),960H(P:960×576/N:960×480)
Video Quality	Lowest/Low/Ordinary/Good/Better/Best
Playback & Backup	
Decode Capability	2CH 1080P@30fps
Sync Playback	Pure Analog: 4CH 960H@25fps, 4CH 720P@15fps, 4CH 1080N@15fps, 4CH 5M_LITE@6fps, 4CH 4M_LITE@8fps, 4CH 3M_LITE@10fps Mixture mode: 4CH 720P@25fps, 2CH 1080P@25fps, 1CH 5MP@25fps Pure Network: 4CH 720P@25fps, 2CH 1080P@25fps, 1CH 5MP@25fps
Remote Playback	4 Channel / 1Channel
Smart Phone Playback	4 Channel
Backup Mode	USB Device(with format FAT 32)/Network/FTP
Network	
Interface	1 RJ45 10M/100M Adaptive Ethernet Interface
Hard Disk Driver	
Interface Type	1 SATA Interface
Capacity	1 SATA Hard Disk (2.5"/3.5" SATA, Up to 8TB)
General	
UTC Control	YES
USB Interface	2 USB 2.0 Interfaces
Power consumption	DC 12V/2A ≤6W (Without Hard Disk)
Working Environment	-10~55°C/10~90%
Dimension (W×D×H)	260*215*43(mm)
Weight	2kg (Without HDD)

Digital Video Recorder

IID-XVR16A24KD

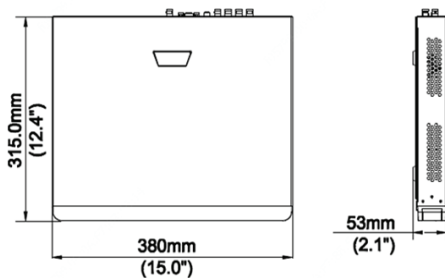


DVR

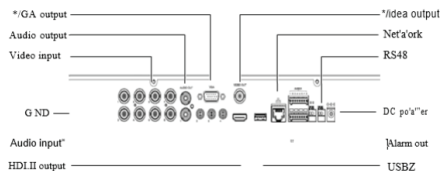
Key Features

- Support AHD/CVI/TVI/IP/Analog Camera Input
- Up to 8MP resolution for recording
- Support HD Output. VGA
- Support Max. 16CH HD or 24CH IP Camera Input
- Support 2 SATA up to 12TB Capacity

Dimensions



Rear panel

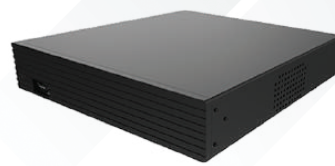


Model IID-XVR16A24KD

Video/Audio Input	Video/Audio Input
Analog Video Input	Analog Video Input
IP Video Input	8-ch(only IP up to 24ch), each channel up to 4K
Supported Analog Camera Types	Support AHD input:8MP@15fps(channel1-channel4), 5MP@20fps, 4MP@30fps, 3MP@30fps (channel1-channel4)1080P@30fps, 720P@60fps Support TVI input:8MP@15fps(channel1-channel4), 5MP@20fps, 4MP@30fps, 3MP@20fps (channel1 -channel4)1080P@30fps, 720P@60fps Support CVI input:8MP@15fps(channel1-channel4), 4MP@30fps, 1080P@30fps, 720P@60fps Support CVBS input
Audio Input	1-ch, RCA
Two-way Audio	1-ch, RCA
Channel Associated Audio	1-ch,RCA
Network	
Incoming Bandwidth	72Mbps
Outgoing Bandwidth	80Mbps
Remote Users	128
Protocols	TCP/IP, P2P, UPnP, NTP, DHCP, PPPOE
Video/Audio Output	
CVBS Output	1-ch, BNC
VGA Output	1920x1080p/60Hz, 1920x1080p/50Hz, 1600x1200/60Hz, 1280x1024/60Hz, 1280x720/60Hz, 1024x768/60Hz
HDMI Output	1920x1080p/60Hz,1920x1080p/50Hz,1600x1200/60Hz, 1280x1024/60Hz,1280x720/60Hz,1024x768/60Hz
Audio Output	1- ch, RCA
Synchronous Playback	16-ch
Encoding	
Recording Frame Rate	Main stream:8MP Lite@8fps (channel1-channel4) 5MP Lite@12fps, 4MP Lite@15fps,3MP@15fps (channel1 - channel 4) 2MP@15fp, 720P@30fps Sub stream: D1@30fps(Max)
Recording Resolution	8MP Lite/5MP Lite/4MP Lite/3MP/1080P/960P/720P/960H/4C IF/CIF
Hard Disk	
SATA	2 SATA interface up to 6 TB For each HDD
External Interface	
Network Interface	1RJ45 10M/100M/1000M self-adaptive Ethernet Interface
USB Interface	Rear panel : 1 x USB3.0,Front panel : 1xUSB2.0
Serial Interface	1 x RS485
Alarm In	-
Alarm Out	-
General	
Power Supply	12V DC / Power Consumption: ≤ 12 W(without HDD)
Working Environment	-10°C--+ 55°C (+14°F--+131°F), Humidity ≤ 90% RH (non-condensing)
Dimensions(W×D×H)	380mm ×315mm× 53mm (15" × 12.4"×2.1")
Weight (without HDD)	≤1.9 Kg (4.19lb)

Digital Video Recorder

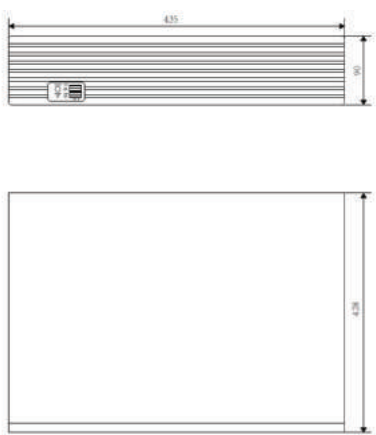
XVR32A32D4K8S



Key Features

- Support AHD/CVI/TVI/IP/Analog Camera Input
- Up to HD 5MP and IP 8MP Resolution Recording
- Support HD Output, VGA and CVBS Video Output
- Support Max. 32CH HD or 32CH IP Camera Input
- Support 8 SATA up to 64TB and 1 E-SATA up to 8TB

Dimensions



Rear panel



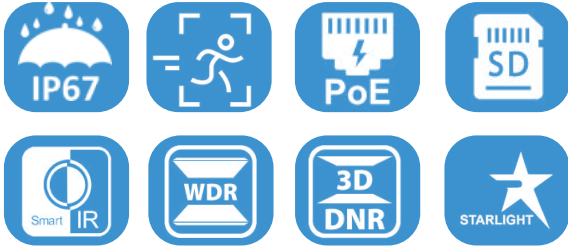
Model NO.

XVR32A32D4K8S

Video	
Input	Normal Mode: Analog: 32*(AHD/TVI/CVI:8M; TVI/AHD: 5M; AHD/TVI/CVI: 4M; AHD/TVI: 3M; AHD/TVI/CVI: 1080P/720P; Analog: 960H) Analog + Network: 30*Analog+2*network (Max 8MP), 28*Analog+4*network(Max 8MP), 26*Analog+6*network(Max 8MP), 24*Analog+8*network(Max 8MP), 22*Analog+10*network(Max 8MP), 20*Analog+12*network(Max 8MP), 18*Analog+14*network(Max 8MP), 16*Analog+16*network(Max 8MP), 14*Analog+18*network(Max 8MP), 12*Analog+20*network(Max 8MP), 10*Analog+22*network(Max 8MP), 8*Analog+24*network(Max 8MP), 6*Analog+26*network(Max 8MP), 4*Analog+28*network(Max 8MP), 2*Analog+30*network(Max 8MP) Network: 32*network(Max 8MP)(Total incoming bandwidth ≤160M)
Signal Type	Analog/AHD/CVI/TVI/Network
Output	1 HD, 1 VGA, 1 CVBS
Audio	
Input	12 Channel, RCA
Two-way Audio	NO
Output	1 Channel, RCA
Alarm	
Sensor Input	16 Channel
Output	4 Channel
Motion Detection	32 Channel
Trigger Events	Recording, Email, Screen tips, Buzzer, Push notifications(motion detection)
Email Alarm	Send Image to The Designated E-mail
PTZ	
Interface	RS485
Protocol	Pelco-D, Pelco-P
Baud Rate	110~921600
Address	0~255
Display	
VGA	Resolution: 1920 × 1080P /60Hz, 1280 × 1024 /60Hz
HD Output	Resolution: 3840×2160/30Hz, 1920 × 1080P /60Hz, 1280 × 1024 /60Hz
Display Split	36 Channel/25 Channel/16 Channel/9 Channel/8 Channel/4 Channel / 1Channel
Privacy Masking	3 Rectangular Zones (Each camera)
OSD	Camera title, Time, Video loss, Alarm, Motion detection, Recording
Recording	
Video Compression	H.265/H.265+/H.264/H.264+
Audio Compression	G.711U
Resolution	5MP(2592×1944),8MP_LITE(1920×2160),5MP_HALF(1296×1944),4MP(2560×1440),4MP_HALF(1280×1440),3MP(2048×1536),1080P(1920×1080),720P(1280×720),960H(P:960×576/N:960×480)
Video Quality	Worst/Worse/Ordinary/Well/Best
Playback & Backup	
Decode Capability	9CH 720P@30fps
Sync Playback	Pure Analog: 16CH 8MP_LITE@8fps, 16CH 5M@6fps, 16CH 5MP_LITE@10fps, 16CH 4M@8fps, 16CH 4MP_LITE@15fps, 16CH 3M@9fps, 16CH, 1080p@15fps, 16CH 1080N@25fps Mix Mode: 2CH 4K@30fps, 2CH 5M@30fps, 2CH 4M@30fps, 3CH 3M@30fps, 8CH 1080P@30fps, 8CH 960P@30fps, 8CH 720P@30fps Pure IPC: 2CH 4K@30fps, 4CH 5M@30fps, 4CH 4M@30fps, 5CH 3M@30fps, 9CH 1080P@30fps, 9CH 960P@30fps, 9CH 720P@30fps
Remote Playback	4 Channel / 1Channel
Smart Phone Playback	4 Channel
Backup Mode	USB Device(with format FAT 32)/Network/FTP
Network	
Interface	1 RJ45 10M/100/1000M Adaptive Ethernet Interface
Hard Disk Driver	
Interface Type	8 SATA Interface
Capacity	8 SATA Hard Disk (3.5" SATA, Up to 64TB) + 1 E-SATA Interface (Up to 8TB)
General	
UTC Control	YES
USB Interface	2 USB 2.0 Interfaces
Power consumption	AC 115~230v ≤35W (Without HDD)
Working Environment	-10~55°C/10~90%
Dimension (W×D×H)	440*450*95(mm)
Weight	9.8kg (Without HDD)

2/5MP Bullet IP Camera

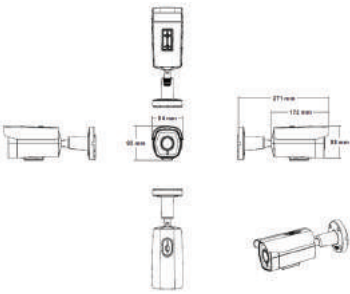
DB2I40M/ DB2I40MN/ DB5I40MN



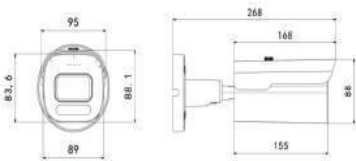
Key Features

- 2/5MP Outdoor Fixed Bullet IP
- IP67 Outdoor Metal Case
- 3.6mm Fixed Lens
- IR Distance 40M Max.
- With Internal POE

Dimensions: DB2I40M



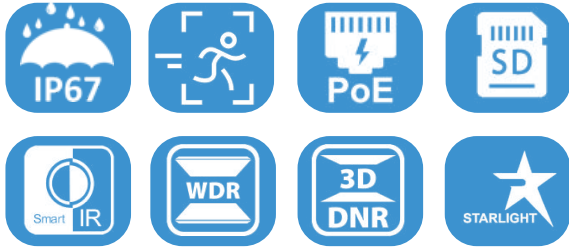
Dimensions: DB2I40MN / DB5I40MN



Model NO.	DB2I40M	DB2I40MN	DB5I40MN
Camera			
Image Sensor	1/2.9" Full HD CMOS Sensor	1/2.8" Smartsens CMOS sensor	1/2.7" Smartsens CMOS sensor
Resolution	2MP 1080P (1920(H)*1080(V))		5MP (2888(H)*1628(V))
Compression	H.264/H.264+/H.265/H.265+/JPEG/AVI / MJPEG		
TV System	PAL/NTSC		
Electronic Shutter Time	Auto: PAL 1/25-1/10000Sec; NTSC 1/30-1/10000Sec		
Minimum Illumination	0.01Lux	0.005Lux	0.01Lux
S/N Ratio	60dB	≥52dB	
Focus Length	3.6mm		
Night Vision			
Infrared LED	42μ x 4PCS		
Infrared Distance	40M		
IR Status	Auto Control		
IR Power On	Smart, Manual & Timed mode		
Network			
Ethernet	RJ-45 (10/100Base-T)		
Protocol	TCP/IP,ICMP,HTTP,HTTPS,FTP,DHCP,DNS,DDNS,RTP,RTSP,RTCP,NTP,SMTP,UDP		
ONVIF	Support ONVIF 2.4(Profile S/T/G)		
P2P	YES		
POE	Internal, Support IEEE 802.3af		
Main Stream 1	2304*1296@20fps		2880*1620@30fps
Main Stream 2	1920*1080@30fps		2592*1536@30fps / 2560*1440@30fps
Main Stream 3	1280*720@30fps		1920*1080@30fps/ 1280*720@30fps
Sub Stream 1	720*480@30fps	1280*720@30fps	
Sub Stream 2	352*288@30fps	720*480@30fps	
Sub Stream 3	/		
Tri Stream	/	1280*720@30fps / 720*480@30fps	
Camera Features			
Intelligent Analysis	/	Intrusion Detection	
Day/Night	Color/ B&W (IR-CUT)		
Image Config	Mirror, 3D NR , White Balance, FLK	Mirror,3D NR,White Balance,FLK, Video Tampering, HLC, Distortion	
Corridor Pattern	Support		
Defog Mode	Support		
ROI	/	Support	
BLC	Support		
WDR	/	HDR: 120dB	
Starlight	/	Support	
Interface			
Audio	External mic port	Audio In/Out	
Alarm	/	1 Channel In/Out	
SD Card Slot	/	Support Max 512GB	
General			
Housing	Metal , IP67		
Anti-cut Bracket	YES	NO	
IR Cut Filter	YES		
Operation Temperature	-20°C ~ +60°C RH95% Max		
Storage Temperature	-20°C ~ +60°C RH95% Max		
Power Source	DC12V±10%, 950mA		
Dimension	179(W) x 94(H) x 93(D)mm	268(W) x 95(H) x 88(D)mm	
Weight	1.4Kgs	1500g	

2/5MP Bullet IP Camera

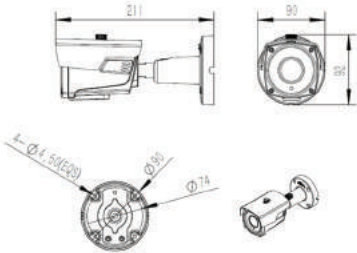
DB2I60MV/ DB5I40MVN/ DB5I40MZN



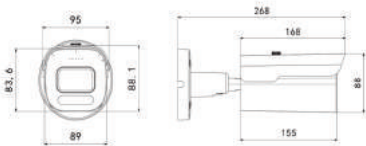
Key Features

- 2/5MP Outdoor Bullet IP
- IP67 Outdoor Metal Case
- 2.8-12mm Varifocal Lens
- 2.7-13.5mm Motorized
- IR Distance 40/60M Max.
- With Internal POE

Dimensions: DB2I60MV/ DB5I40MVN



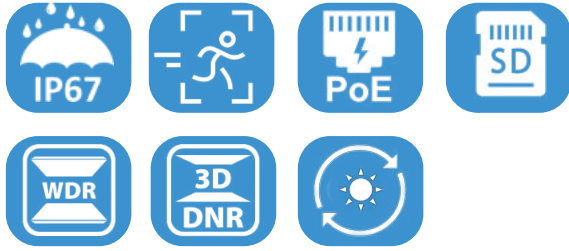
Dimensions: DB5I40MZN



Model NO.	DB2I60MV	DB5I40MVN	DB5I40MZN
Camera			
Image Sensor	1/2.9" Full HD CMOS Sensor	1/2.7" SmartSens CMOS sensor	
Resolution	2MP 1080P 1920(H)*1080(V)	5MP 2888(H)*1628(V)	
Compression	H.264/H.264+/H.265/H.265+/JPEG/AVI		
Minimum Illumination	0.01Lux		
S/N Ratio	60dB	≥52dB	
Lens			
Focus Length	2.8-12mm Varifocal	2.7-13.5mm Motorized	
Night Vision			
Infrared LED	42μ x 6PCS	42 x 4PCS	
Infrared Distance	60M	40M	
IR Status	Auto Control		
IR Power On	Smart, Manual & Timed mode		
Network			
Ethernet	RJ-45 (10/100Base-T)		
Protocol	TCP/IP, ICMP, HTTP, HTTPS, FTP, DHCP, DNS, DDNS, RTP, RTSP, RTCP, NTP, SMTP, UDP		
ONVIF	Support ONVIF 2.4(Profile S/T/G)		
P2P	YES		
POE	Internal, Support IEEE 802.3af		
Main Stream 1	2304*1296@20fps	2880*1620@30fps	
Main Stream 2	1920*1080@30fps	2592*1536@30fps	2560*1440@30fps
Main Stream 3	1280*720@30fps	1920*1080@30fps	1280*720@30fps
Sub Stream 1	720*480@30fps	1280*720@30fps	
Sub Stream 2	352*288@30fps	720*480@30fps	
Sub Stream 3	/		
Tri Stream	/	1280*720@30fps	720*480@30fps
Camera Features			
Intelligent Analysis	/	Intrusion Detection	
Day/Night	Color/ B&W (IR-CUT)		
Image Config	Mirror, 3D NR , White Balance, FLK	Mirror, 3D NR, White Balance, FLK, Video Tampering, HLC, Distortion	
Corridor Pattern	Support		
Defog Mode	Support		
ROI	/	Support	
BLC	Support		
WDR	/	HDR: 120dB	
Starlight	/	Support	
Interface			
Audio	External Mic port	Optional	Audio In/out
Alarm	/	1 Channel In/out	
SD Card Slot	/	External, Support Max 512GB	
General			
Housing	Metal , IP67		
Anti-cut Bracket	YES		
IR Cut Filter	YES		
Operation Temperature	-20°C ~ +60°C RH95% Max		
Storage Temperature	-20°C ~ +60°C RH95% Max		
Power Source	DC12V±10%, 1100mA	DC12V±10%, 950mA	
Dimension	211(W) x 92(H) x 90(D)mm	268(W) x 95(H) x 88(D)mm	
Weight	1400g	1500g	

5MP Full Color IP Camera

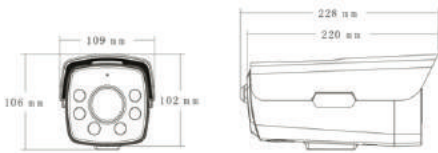
DB5S60MZN



Key Features

- 1/2.8" SONY Starvis Back-illuminated CMOS sensor
- H.265+/H.265/H.264+/H.264 Compression Method
- Support Warm white (4000K) up to 60m
- With Internal POE and SD Card Slot

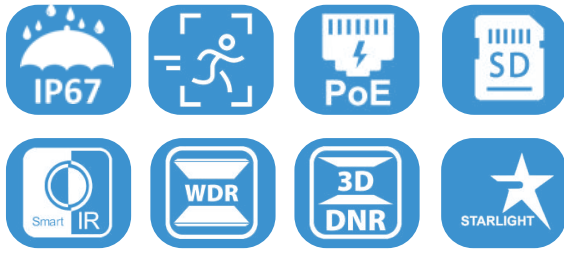
Dimensions



Model NO.	DB5S60MZN
Camera	
Image Sensor	1/2.8" SONY Starvis Back-illuminated CMOS sensor
Resolution	5MP 2616 (H)*1964 (V)
Compression	H.264/H.264+/H.265/H.265+/JPEG/AVI /MJPEG
TV System	PAL/NTSC
Electronic Shutter Time	Auto: PAL 1/25-1/10000Sec; NTSC 1/30-1/10000Sec
Minimum Illumination	0.01Lux
S/N Ratio	≥52dB
Lens	
Focus Length	2.7-13.5mm motorized
Night Vision	
Infrared LED	No, Support Warm light LED 4000K, up to 60m
IR Power On	Smart, Manual & Timed mode
Ethernet	RJ-45 (10/100Base-T)
Protocol	TCP/IP, ICMP, HTTP, HTTPS, FTP, DHCP, DNS, DDNS, RTP, RTSP, RTCP, PPPoE, NTP, UPnP, SMTP, UDP
ONVIF	Support ONVIF 2.4(Profile S/T/G)
P2P	YES, Support QR Code
POE	Internal, Support IEEE 802.3af
Main Stream 1	2592*1944@30fp
Main Stream 2	2560*1440@30fp
Main Stream 3	1920*1080@30fps / 1280*720@30fps
Sub Stream 1	1280*720@30fps / 720*480@30fps
Sub Stream 2	352*288@30fps
Sub Stream 3	/
Tri Stream	1280*720@30fps / 720*480@30fps / 352*288@30fps
Camera Features	
Intelligent Analysis	Face Detection, Intrusion Detection, Line Cross Detection, Loiter Detection, People Gather Detection, motion detection based on human detection
Day/Night	Color/ B&W (IR-CUT)
Image Config	Saturation/Brightness/Contrast /Sharpness, Mirror, 3D NR , White Balance, FLK(Flicker Control), Video Tampering, HLC,Distortion
Full Color	Support
Corridor Pattern	Support
Defog Mode	Support
ROI	Support
BLC	Support
WDR	HDR: 120dB
Motion Detection	Support
Interface	
Audio	Audio Input/output
Alarm	1 Channel Input/output
SD Card Slot	Internal, Support Max 512GB
RS485	/
General	
Housing	Metal , IP67
Anti-cut Bracket	No
IR Cut Filter	YES
Operation Temperature	-20°C ~ +60°C RH95% Max
Storage Temperature	-20 °C ~ +60 °C RH95% Max
Power Source	DC12V±10%, 1500mA
Dimension	220(W) x 109(H) x 106(D)mm
Weight	2150g

2/5MP Dome IP Camera

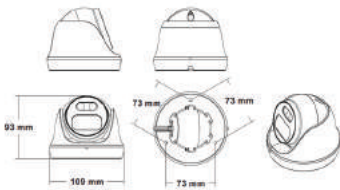
DD2I25M/ DD2I30MN/ DD5I30MN



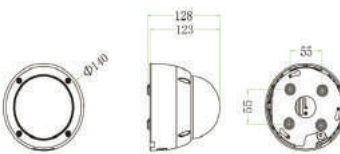
Key Features

- 2/5MP Outdoor Fixed Dome IP
- IP67 Outdoor Metal Case
- 2.8 mm Fixed Lens
- IR Distance 25/30M Max.
- With Internal POE

Dimensions: DD2I25M / DD5I30MN



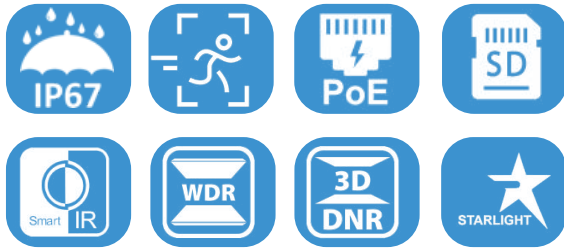
Dimensions: DD2I30MN



Model NO.	DD2I25M	DD2I30MN	DD5I30MN
Camera			
Image Sensor	1/2.9" Full HD CMOS Sensor	1/2.8" SONY Starvis Back illuminated CMOS Sensor	1/2.7" SmartSens CMOS sensor
Resolution	2MP 1080P 1920(H)*1080(V)		5MP 2888(H)*1628(V)
Compression	H.264/H.264+/H.265/H.265+/JPEG/AVI		
Minimum Illumination	0.01Lux	0.005Lux	0.01Lux
S/N Ratio	60dB	≥52dB	
Lens			
Focus Length	2.8mm		
Night Vision			
Infrared LED	42μ x 2PCS	42μ x 4PCS	42μ x 2PCS
Infrared Distance	25M	30M	
IR Status	Auto Control		
IR Power On	Smart, Manual & Timed mode		
Network			
Ethernet	RJ-45 (10/100Base-T)		
Protocol	TCP/IP,ICMP,HTTP,HTTPS,FTP,DHCP,DNS,DDNS,RTP,RTSP,RTCP,NTP,SMTP,UDP		
ONVIF	Support ONVIF 2.4(Profile S/T/G)		
P2P	YES		
POE	Internal, Support IEEE 802.3af		
Main Stream 1	2304*1296@20fps		2880*1620@30fps
Main Stream 2	1920*1080@30fps		2592*1536@30fps / 2560*1440@30fps
Main Stream 3	1280*720@30fps		1920*1080@30fps / 1280*720@30fps
Sub Stream 1	720*480@30fps	1280*720@30fps	1280*720@30fps
Sub Stream 2	352*288@30fps	720*480@30fps	720*480@30fps
Sub Stream 3	/		
Tri Stream	/	1280*720@30fps / 720*480@30fps 352*288@30fps	1280*720@30fps / 720*480@30fps
Camera Features			
Intelligent Analysis	/	Face Detection, Intrusion Detection, Line Cross Detection, Loiter Detection, People Gather Detection	Intrusion Detection
Day/Night	Color/ B&W (IR-CUT)		
Image Config	Mirror, 3D NR , White Balance,FLK(Flicker Control)	Mirror, 3D NR , White Balance, FLK(Flicker Control), Video Tampering, HLC, Distortion	
Corridor Pattern	Support		
Defog Mode	Support		
ROI	/	Support	
BLC	Support		
WDR	/	HDR: 120dB	
Starlight	/	Support	
Interface			
Audio	Built in Mic	Audio I/O	1 Built-in MIC
Alarm	/	1 Channel In/Out	/
SD Card Slot	/	External, Support Max 512GB,Built in 4G Storage	Internal, Support Max 512GB
General			
Housing	Metal , IP67		
Anti-cut Bracket	Optional Wall Bracket		
IR Cut Filter	YES		
Operation Temperature	-20°C ~ +60°C RH95% Max		
Storage Temperature	-20°C ~ +60°C RH95% Max		
Power Source	DC12V±10%, 700mA	DC12V±10%, 950mA	DC12V±10%, 700mA
Dimension	∅ 109 x 93(H) mm	∅ 140 x 123(H)mm	∅ 109 x 93(H) mm
Weight	600g	1200g	600g

2/5MP Dome IP Camera

DD2I25MZN/ DD2I30MZN/ DD5I30MZN

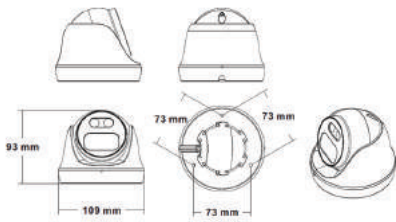


IP Camera

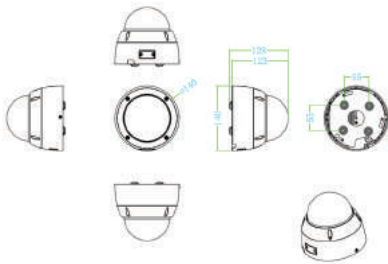
Key Features

- 2/5MP Outdoor Motorized Dome IP
- IP67 Outdoor Metal Case
- 2.7-13.5mm Motorized Lens
- IR Distance 25/30M Max.
- With Internal POE

Dimensions: DD2I25MZN

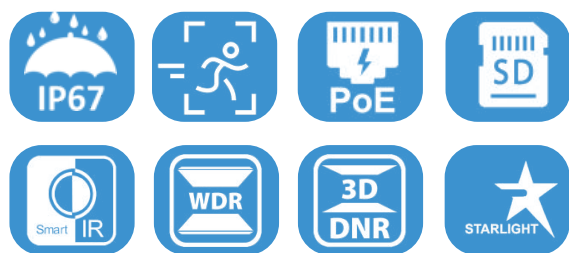


Dimensions: DD2I30MZN / DD5I30MZN



Model NO.	DD2I25MZN	DD2I30MZN	DD5I30MZN
Camera			
Image Sensor	1/2.8" SmartSens CMOS sensor	1/2.8" SONY Starvis Back illuminated CMOS sensor	1/2.7" SmartSens CMOS sensor
Resolution	2MP 1080P 1920(H)*1080(V)		5MP 2888(H)*1628(V)
Compression	H.264/H.264+/H.265/H.265+/JPEG/AVI /MJPEG		
Minimum Illumination	0.005Lux		0.001Lux
S/N Ratio	≥52dB		
Lens			
Focus Length	2.7-13.5mm Motor Zoom		
Night Vision			
Infrared LED	42μ x 2PCS	42μ x 4PCS	
Infrared Distance	25M	30M	
IR Status	Auto Control		
IR Power On	Smart, Manual & Timed mode		Auto Control
Network			
Ethernet	RJ-45 (10/100Base-T)		
ONVIF	Support ONVIF 2.4(Profile S/T/G)		
P2P	YES, Support QR Code		
POE	Internal, Support IEEE 802.3af		
Video Delay	0.3S (Within the Lan)		
Main Stream 1	2304*1296@20fps		2880*1620@30fps
Main Stream 2	1920*1080@30fps		2592*1536@30fps / 2560*1440@30fps
Main Stream 3	1280*720@30fps		1920*1080@30fps / 1280*720@30fps
Sub Stream 1	1280*720@30fps		
Sub Stream 2	720*480@30fps		
Sub Stream 3	/		
Tri Stream	1280*720@30fps / 720*480@30fps		
Camera Features			
Intelligent Analysis	Intrusion Detection	Face detection, Intrusion Detection, line cross detection, people gathering detection	Intrusion Detection
Day/Night	Color/ B&W (IR-CUT)		
Image Config	Mirror, 3D NR , White Balance, FLK(Flicker Control), Video Tampering, HLC, Distortion		
Corridor Pattern	Support		
Defog Mode	Support		
ROI	Support		
BLC	Support		
WDR	HDR: 120dB		
Motion Detection	Support		
Starlight	Support		
Interface			
Audio	1 Built-in MIC	Audio I/O	
Alarm	/	Channel In/Out	
SD Card Slot	External, Support Max 512GB	Internal, Support Max 512GB,4G internal	External, Support Max 512GB
General			
Housing	Metal , IP67		
Anti-cut Bracket	Optional Wall Bracket	NO	
IR Cut Filter	YES		
Operation Temperature	-20°C ~ +60°C RH95% Max		
Storage Temperature	-20°C ~ +60°C RH95% Max		
Power Source	DC12V±10%, 700mA	DC12V±10%, 950mA	
Dimension	φ 128 x 108(H)mm	φ 140 x 123(H)mm	
Weight	800g	1.2Kgs	

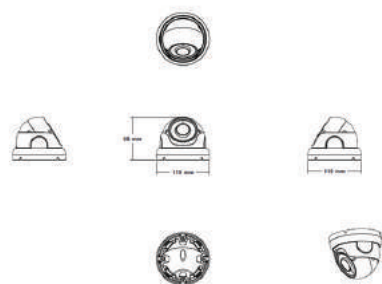
2/5MP Dome IP Camera DD2I30MV/ DD5I30MVN



Key Features

- 2/5MP Outdoor Varifocal Dome IP
- IP67 Outdoor Metal Case
- 2.8-12mm Lens
- IR Distance 30M Max.
- With Internal POE

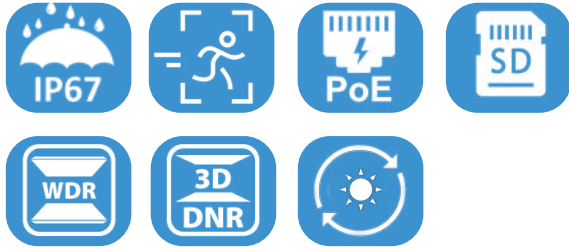
Dimensions



Model NO.	DD2I30MV	DD5I30MVN
Camera		
Image Sensor	1/2.9" Full HD CMOS Sensor	1/2.7" SmartSens CMOS sensor
Resolution	2MP 1080P 1920(H)*1080(V)	5MP 2888(H)*1628(V)
Compression	H.264/H.264+/H.265/H.265+/JPEG/AVI	
Minimum Illumination	0.01Lux	
S/N Ratio	60dB	≥52dB
Lens		
Focus Length	2.8-12mm Varifocal	
Night Vision		
Infrared LED	14μ x 24PCS	
Infrared Distance	30M	
IR Status	Auto Control	
IR Power On	Smart, Manual & Timed mode	
Network		
Ethernet	RJ-45 (10/100Base-T)	
Protocol	TCP/IP, ICMP, HTTP, HTTPS, FTP, DHCP, DNS, DDNS, RTP, RTSP, RTCP, NTP, SMTP, UDP	
ONVIF	Support ONVIF 2.4(Profile S/T/G)	
P2P	YES	
POE	Internal, Support IEEE 802.3af	
Main Stream 1	2304*1296@20fps	2880*1620@30fps
Main Stream 2	1920*1080@30fps	2592*1536@30fps / 2560*1440@30fps
Main Stream 3	1280*720@30fps	1920*1080@30fps / 1280*720@30fps
Sub Stream 1	720*480@30fps	1280*720@30fps
Sub Stream 2	352*288@30fps	720*480@30fps
Sub Stream 3	/	
Tri Stream	/	
Camera Features		
Intelligent Analysis	/	Intrusion Detection
Day/Night	Color/ B&W (IR-CUT)	
Image Config	Mirror, 3D NR , White Balance, FLK(Flicker Control)	Mirror, 3D NR , White Balance, FLK(Flicker Control), Video Tampering, HLC, Distortion
Corridor Pattern	Support	
Defog Mode	Support	
ROI	/	Support
BLC	Support	
WDR	/	HDR: 120dB
Starlight	/	Support
Interface		
Audio	External Mic port	Audio I/O
Alarm	/	Channel In/Out
SD Card Slot	/	Internal, Support Max 512GB
General		
Housing	Metal , IP67	
Anti-cut Bracket	Optional Wall Bracket	
IR Cut Filter	YES	
Operation Temperature	-20°C ~ +60°C RH95% Max	
Storage Temperature	-20°C ~ +60°C RH95% Max	
Power Source	DC12V±10%, 950mA	
Dimension	Φ 119 x 98(H) mm	
Weight	800g	

5MP Full Color IP Camera

DD5S30MZN

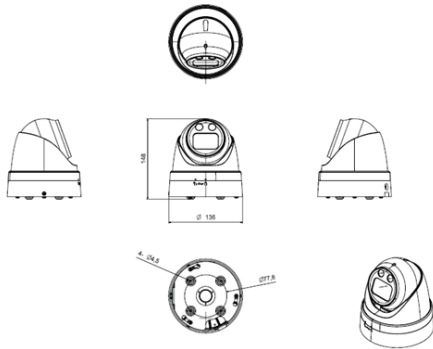


IP Camera

Key Features

- 1/2.8" SONY Starvis Back-illuminated CMOS sensor
- H.265+/H.265/H.264+/H.264 Compression Method
- 2.7-13.5mm Motorized Lens
- Support Warm white (4000K), up to 30m
- With Internal POE and SD Card Slot

Dimensions



Model NO. DD5S30MZN

Camera

Image Sensor	1/2.8" SONY Starvis Back-illuminated CMOS sensor
Resolution	5MP 2616 (H)*1964 (V)
Compression	H.264/H.264+/H.265/H.265+/JPEG/AVI /MJPEG
TV System	PAL/NTSC
Electronic Shutter Time	Auto: PAL 1/25-1/10000Sec; NTSC 1/30-1/10000Sec
Minimum Illumination	0.001Lux
S/N Ratio	≥52dB

Lens

Focus Length	2.7-13.5mm Motor Zoom
--------------	-----------------------

Night Vision

Infrared LED	No, Support Warm light LED 4000K, up to 30m
IR Power On	Smart, Manual & Timed mode

Network

Ethernet	RJ-45 (10/100Base-T)
Protocol	TCP/IP, ICMP, HTTP, HTTPS, FTP, DHCP, DNS, DDNS, RTP, RTSP, RTCP, PPPoE, NTP, SMTP, UDP, SNMP
ONVIF	Support ONVIF 2.4(Profile S/T/G)
P2P	YES, Support QR Code
POE	Internal, Support IEEE 802.3af
Main Stream 1	2592*1944@30fp
Main Stream 2	2560*1440@30fp
Main Stream 3	1920*1080@30fps / 1280*720@30fps
Sub Stream 1	1280*720@30fps / 720*480@30fps
Sub Stream 2	352*288@30fps
Sub Stream 3	/
Tri Stream	1280*720@30fps / 720*480@30fps / 352*288@30fps

Camera Features

Intelligent Analysis	Face Detection, Intrusion Detection, Line Cross Detection, Loiter Detection, People Gather Detection, motion detection based on human detection
Day/Night	Color/ B&W (IR-CUT)
Image Config	Mirror, 3D NR , White Balance, FLK(Flicker Control), Video Tampering, HLC, Distortion
Full Color	Support
Corridor Pattern	Support
Defog Mode	Support
ROI	Support
BLC	Support
WDR	HDR: 120dB
Motion Detection	Support
Starlight	Support

Interface

Audio	1 Built-in MIC
Alarm	1 Channel Input/output
SD Card Slot	Internal, Support Max 512GB
RS485	/

General

Housing	Metal , IP67
Anti-cut Bracket	NO
IR Cut Filter	YES
Operation Temperature	-20°C ~ +60°C RH95% Max
Storage Temperature	-20°C ~ +60°C RH95% Max
Power Source	DC12V±10%, 1000mA
Dimension	Φ 136 x 148(H)mm
Weight	1700g

5MP PTZ IP Camera

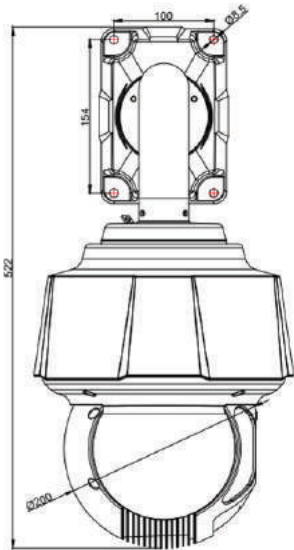
DPT5X36



Key Features

- 10"Outdoor High Speed PTZ
- 1/2.8"SONY Starvis Back-illuminated CMOS sensor
- 36X Optical Zoom (f=4.6mm-165mm)
- IR Distance 240m Max.
- IP66 Outdoor

Dimensions

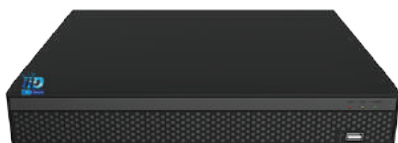


Model NO. DPT5X36

Camera	
Image Sensor	1/2.8" SONY Starvis Back-illuminated CMOS sensor
Horizontal Resolution	5MP
Compression	H.264/H.265
S/N Ratio	>50db
PTZ	
Horizontal Rotation Speed	200°/S
Horizontal Rotation Range	0°~360°
Tilt Rotation Speed	100°/s
Tilt Rotation Range	0°~93°
Preset Points	220
Guard Tours	3 groups
Guard Points	Max.16 points
Lens	
Focus Length	4.6mm-165mm
Focus Control	36X Optical Zoom
Night Vision	
Infrared LED	φ 42 x 11PCS IR LEDES + 4PCS LED Laser
IR Range	250m
Day-night mode	AUTO
Network	
Network protocol	TCP/IP, HTTP, FTP, RTSP, UPnP, DNS, NTP, RTP, UDP, IGMP,P2P
ONVIF	Support
Network interface	Built-in RJ45 network interface, support 10M/100M IP DATA
Main Stream1	2560*1920@20fps
Main Stream2	2560*1440@25fps
Main Stream3	2304*1296@25fps
Main Stream4	1920*1080@25fps
Main Stream5	1280*720@25fps
Main Stream6	640*512@25fps
Sub Stream1	800*448@25fps)
Sub Stream2	704*576@25fps
Sub Stream3	640*360@25fps
Sub Stream4	352*288@25fps
Interface	
Audio	Optional
Alarm	Optional
SD Card Slot	/
POE	/
General	
Weatherproof	IP66
Operating Temperature	Indoor: 0°~ +40° Outdoor: -40°~ +60°
Operating Humidity	≤90% Non-Condensing
Power	DC12V/4A
Lightning Protection	Transient voltage 6000V
Dimension	33x33x52(cm)
Weight	13.7Kgs

Network Video Recorder

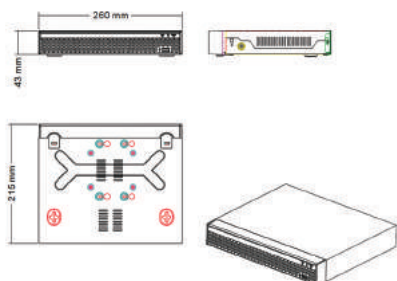
NVR9C4P4K1S



Key Features

- Third-party Network Cameras Supported
- Up to 4K Resolution Recording and Playback
- HD and VGA Output, HD Port up to 4K (3840*2160)
- H.265+/H.265/H.264+/H.264 Video Format
- Support 1 SATA up to 8TB Capacity.
- Support 4 Independent PoE Network Interfaces

Dimensions



Rear panel



Model NO. NVR9C4P4K1S

Video	
Input	9CH (3840*2160, 2592x1944, 2048x1536, 1920x1080, 1280x960, 1280x720, etc.)
Audio	
Audio Input	1 Port RCA
Audio Bit Rate	64kbps
Audio compression standard	G711u, G711a, ADPCM_DVI4
Intercom	support (two-way)
Alarm	
Alarm Input	4
Alarm Output	1
Trigger Events	Recording, Email, FTP, Snapshot, Buzzer and Screen Tips, alarm output
Display	
HD Output1	1024x768/60Hz, 1280x720/60Hz, 1280x1024/60Hz, 1920x1080/60Hz, 4K(3840x2160)/30Hz
HD Output2	/
VGA	Resolution:1920 × 1080/60Hz, 1280 × 1024/60Hz, 1280 × 720/60Hz, 1024 × 768/60Hz
Display Split	9CHxD1/8CHxD1/4CHxD1/1CHx1080P/1CHx3MP/1CHx4MP/1CHx5MP/1CHx4k
OSD	Camera Title, Time, Recording, Motion Detection, Event Alarm
Recording	
Video Compression	H265/H264/H265+/H264+
Record Resolution	4k(3840×2160),5MP(2592×1944),4MP(2688×1520/2560×1440),3MP(2048×1536),1080P(1920×1080),960P(1280×960),720P(1280×720),D1 (720×576/720×480)
Record Rate	PAL: 4K@8x25fps,5MP@9x25fp,4MP@9x25fp,3MP@9x25fp,1080P@9x25fp,960P@9x25fp,720P@9x25fp, D1@9x25fp NTSC: 4K@8x30fps,5MP@9x30fp,4MP@9x30fp,3MP@9x30fp,1080P@9x30fp,960P@9x30fp,720P@9x30fp, D1@9x30fp
Record Mode	Manual\Timer\Motion Detection\ Alarm\Motion and Alarm\Smart Alarm
Playback & Backup	
Local Sync Playback	1CH 4K@30fps, 1CH 5MP@30fps,2CH 4MP@30fps, 2CH 3M@30fps, 4CH 1080P@30fps, 4CH 960P@30fps, 4CH 720P@30fps
Decode Capability	4CH 1080P(1920x1080)@30fps
Search Mode	ALL, Channel, Manual, Time, Date, Motion Detection, Event Alarm, Tag search
Backup Mode	USB Device/Network
Network	
Interface	5xRJ45 10M/100MAdaptive Ethernet Interface
Incoming Bandwidth	80MB
Network Functions	TCP/IP, HTTP,HTTPS, UPnP, DNS, NTP, SMTP, DHCP, FTP, DDNS, RTSP, RTCP, p2p,PPPOE
Onvif Version	Support Onvif 2.8
POE	4 x Independent 100Mbps POE Network Interfaces(Output Power AT mode 30W, AF mode 15W per Interface), 45/78 line order, Total Power Output≥50W, Support Plug and Play, Support network cable extended mode Max. 200M
Storage	
Interface Type	1 SATA Hard Disk Interface (3.5" SATA) Up to 8TB capacity
General	
USB Interface	2 USB 2.0 Interfaces
Power Supply	DC52V/1250mA
Working Environment	-10~55°C/10~90%
Dimension(W×D×H)	260*215*43(mm)
Weight	2kg(without HDD)

NVR

Network Video Recorder

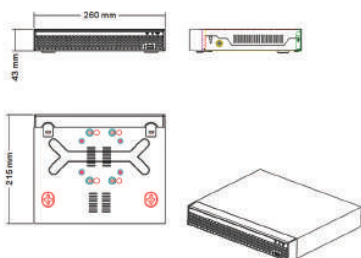
NVR16C8P4K1S



Key Features

- Third-party Network Cameras Supported
- Up to 4K Resolution Recording and Playback
- HD and VGA Output, HD Port up to 4K (3840*2160)
- H.265+/H.265/H.264+/H.264 Video Format
- Support 1 SATA up to 8TB Capacity.
- Support 8 Independent PoE Network Interfaces

Dimensions



Rear panel

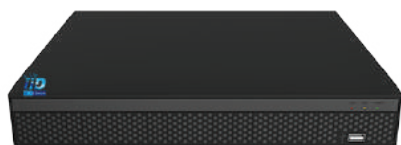


Model NO. NVR16C8P4K1S

Video	
Input	16CH (3840*2160, 2592x1944, 2048x1536, 1920x1080, 1280x960, 1280x720, etc.)
Audio	
Audio Input	1 Port RCA
Audio Output	1 Port RCA(Linear, 1kΩ)
Audio Bit Rate	64kbps
Audio compression standard	G711u, G711a, ADPCM_DVI4
Intercom	support (two-way)
Alarm	
Alarm Input	4
Alarm Output	1
Trigger Events	Recording, Email, FTP, Snapshot, Buzzer and Screen Tips, alarm output
Display	
HD Output1	1024x768/60Hz, 1280x720/60Hz, 1280x1024/60Hz, 1920x1080/60Hz, 4K(3840x2160)/30Hz
HD Output2	/
VGA	1920x1080 1280x1024 1280x720 1024x768
Display Split	16CHxD1/9CHxD1/8CHxD1/4CHxD1/1CHx1080P/1CHx3MP/1CHx4MP/1CHx5MP/1CHx4k
OSD	Camera Title, Time, Recording, Motion Detection, Event Alarm
Recording	
Video Compression	H265/H264/H265+/H264+
Record Resolution	4k(3840x2160),5MP(2592x1944),4MP(2688x1520/2560x1440),3MP(2048x1536),1080P(1920x1080),960P(1280x960),720P(1280x720),D1(720x576/720x480)
Record Rate	PAL :4K@10x25fps,5MP@16x25fp,4MP@16x25fp,3MP@16x25fp,1080P@16x25fp,960P@16x25fp,720P@16x25fp, D1@16x25fp NTSC: 4K@10x30fps,5MP@16x30fp,4MP@16x30fp,3MP@16x30fp,1080P@16x30fp,960P@16x30fp, 720P@16x30fp, D1@16x30fp
Record Mode	Manual\Timer\Motion Detection\ Alarm\Motion and Alarm\Smart Alarm
Playback & Backup	
Local Sync Playback	1CH 4K@30fps, 1CH 5MP@30fps,2CH 4MP@30fps, 2CH 3M@30fps, 4CH 1080P@30fps, 4CH 960P@30fps, 4CH 720P@30fps
Decode Capability	4CH 1080P(1920x1080)@30fps
Search Mode	ALL, Channel, Manual, Time, Date, Motion Detection, Event Alarm, Tag search
Backup Mode	USB Device/Network
Network	
Interface	9 x RJ45 (10M/100M Adaptive Ethernet Interface)
Incoming Bandwidth	80MB
Network Functions	TCP/IP, HTTP,HTTPS, UPnP, DNS, NTP, SMTP, DHCP, FTP, DDNS, RTSP, RTCP, p2p,PPPOE
Onvif Version	Support Onvif 2.8
POE	8 x Independent 100Mbps POE Network Interfaces (Output Power AT mode 30W, AF mode 15W per Interface), 45/78 line order, Total Power Output≥100W, Support Plug and Play, Support network cable extended mode Max. 200M
Storage	
Interface Type	1 SATA Hard Disk Interface (3.5" SATA) Up to 8TB capacity
General	
USB Interface	2 USB 2.0 Interfaces
Power Supply	DC52V 2500mA
Working Environment	-10~55°C/10~90%
Dimension(W×D×H)	260*215*43(mm)
Weight	2kg(without HDD)

Network Video Recorder

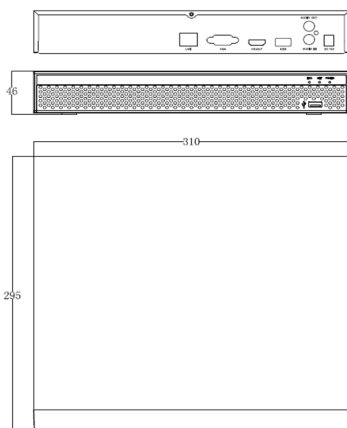
NVR25C16P4K1S



Key Features

- Third-party Network Cameras Supported
- Up to 4K Resolution Recording and Playback
- HD and VGA Output, HD Port up to 4K (3840*2160)
- H.265+/H.265/H.264+/H.264 Video Format
- Support 1 SATA up to 8TB Capacity.
- Support 16 Independent PoE Network Interfaces

Dimensions



Rear panel



Model NO. NVR25C16P4K1S

Video	
Input	25CH (3840×2160, 2592×1944, 2048×1536, 1920×1080, 1280×960, 1280×720, etc)
Audio	
Audio Input	1 Port RCA
Audio Output	1 Port RCA(Linear, 1kΩ)
Audio Bit Rate	64kbps
Audio compression standard	G711u, G711a, ADPCM_DVI4
Intercom	support (two-way)
Alarm	
Alarm Input	0
Alarm Output	0
Trigger Events	Recording, Email, FTP, Snapshot, Buzzer and Screen Tips
Display	
HD Output1	Resolution:4K (3840 × 2160)/30Hz, 1920 × 1080/60Hz, 1280 × 1024/60Hz, 1280 × 720/60Hz, 1024 × 768/60Hz
HD Output2	/
VGA	Resolution:1920 × 1080/60Hz, 1280 × 1024/60Hz, 1280 × 720/60Hz, 1024 × 768/60Hz
Display Split	25CHxD1/16CHxD1/9CHxD1/4CHxD1/1CHx1080P/1CHx3MP/1CHx4MP/1CHx5MP/1CHx4k/1CHx12MP
OSD	Camera Title, Time, Recording, Motion Detection, Event Alarm
Recording	
Video Compression	H265/H264/H265+/H264+
Record Resolution	4k(3840×2160),5MP(2592×1944),4MP(2688×1520/2560×1440),3MP(2048×1536),1080P(1920×1080),960P(1280×960),720P(1280×720),D1 (720×576/720×480)
Record Rate	PAL :4k@12×25fp,5MP@20×25fp,4MP@25×25fp,3MP@25×25fp,1080P@25×25fp,960P@25×25fp,720P@25×25fp, D1@25×25fp NTSC: 4k@12×30fp,5MP@20×30fp,4MP@25×30fp,3MP@25×30fp,1080P@25×30fp,960P@25×30fp,720P@25×30fp, D1@25×30fp
Record Mode	Manual\Timer\Motion Detection\Smart Alarm
Playback & Backup	
Local Sync Playback	1CH 4K@30fps, 1CH 5MP@30fps,2CH 4MP@30fps, 2CH 3M@30fps, 4CH 1080P@30fps, 4CH 960P@30fps, 4CH 720P@30fps
Decode Capability	1CH 4K(3840×2160)@30fps
Search Mode	ALL, Channel, Manual, Time, Date, Motion Detection, Event Alarm, Tag search
Backup Mode	USB Device/Network
Network	
Interface	16 x RJ45 (10M/100M Adaptive Ethernet Interface)+1xRJ45 10M/100M/1000M Adaptive Ethernet Interface
Incoming Bandwidth	120MB
Network Functions	TCP/IP, HTTP, UPnP, DNS, NTP, SMTP, DHCP, FTP, DDNS, RTSP, RTCP, p2p,PPPOE
Onvif Version	Support Onvif 2.8
POE	16 x Independent 100Mbps POE Network Interfaces(Output Power AT mode 30W, AF mode 15W per Interface), 45/78 line order, Total Power Output≥200W, Support Plug and Play, Support network cable extended mode Max. 250M
Storage	
Interface Type	1 SATA Hard Disk Interface (3.5" SATA) Up to 8TB capacity
General	
USB Interface	2 USB 2.0 Interfaces
Power Supply	AC 100-240V
Working Environment	-10~55°C/10~90%
Dimension(W×D×H)	310*295*46(mm)
Weight	2.0KG (without HDD)

NVR

Network Video Recorder

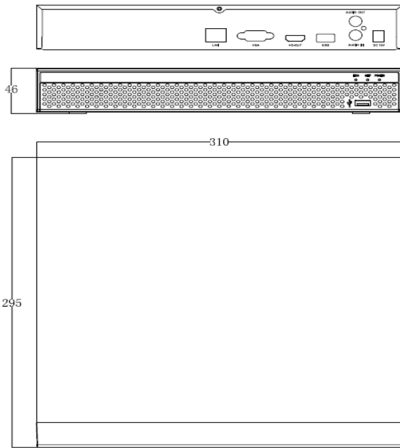
NVR36C0P4K2S



Key Features

- Third-party Network Cameras Supported
- Up to 12MP Resolution Recording and Playback
- HD and VGA Output, HD Port up to 4K (3840*2160)
- Support H.265+/H.265/H.264+/H.264 Video Format
- Support 2 SATA up to 12TB Capacity.

Dimensions



Rear panel

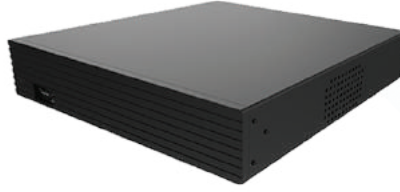


Model NO. NVR36C0P4K2S

Video	
Input	36CH (4000×3000, 3840×2160, 2592×1944, 2048×1536, 1920×1080, 1280×960, 1280×720, etc)
Audio	
Audio Input	1 Port RCA
Audio Output	1 Port RCA(Linear, 1kΩ)
Audio Bit Rate	64kbps
Audio compression standard	AAC,G711u, G711a, ADPCM_DVI4
Intercom	support (two-way)
Alarm	
Alarm Input	NO
Alarm Output	NO
Trigger Events	Recording, Email, FTP, Snapshot, Buzzer and Screen Tips
Display	
HD Output1	4K (3840 × 2160)/30Hz, 1920 × 1080/60Hz, 1280 × 1024/60Hz, 1280 × 720/60Hz, 1024 × 768/60Hz
HD Output2	/
VGA	1920 × 1080/60Hz, 1280 × 1024/60Hz, 1280 × 720/60Hz, 1024 × 768/60Hz
Display Split	36CHxD1/25CHxD1/16CHxD1/9CHxD1/4CHxD1/1CHx1080P/1CHx3MP/1CHx4MP/1CHx5MP/1CHx4k/1CHx12MP
OSD	Camera Title, Time, Recording, Motion Detection, Event Alarm
Recording	
Video Compression	H265/H264/H265+/H264+
Record Resolution	12MP(4000×3000),4k(3840×2160),5MP(2592×1944),4MP(2688×1520/2560×1440),3MP(2048×1536),1080P(1920×1080),960P(1280×960),720P(1280×720),D1(720×576/720×480)
Record Rate	PAL :12MP@25×25fp,4k@30×25fp,5MP@36×25fp,4MP@36×25fp,3MP@36×25fp,1080P@36×25fp,960P@36×25fp,720P@36×25fp, D1@36×25fp NTSC: 12MP@25×30fp,4k@30×30fp,5MP@36×30fp,4MP@36×30fp,3MP@36×30fp,1080P@36×30fp,960P@36×30fp, 720P@36×30fp, D1@36×30fp
Record Mode	Manual\Timer\Motion Detection\Smart Alarm
Playback & Backup	
Local Sync Playback	3CH 12MP@15fps, 4CH 4K@30fps, 6CH 5MP@30fps, 8CH 4MP@30fps, 10CH 3M@30fps, 16CH 1080P@30fps, 16CH 960P@30fps, 16CH 720P@30fps
Decode Capability	4CH 4K(3840×2160)@30fps
Search Mode	ALL, Channel, Manual, Time, Date, Motion Detection, Event Alarm, Tag search
Backup Mode	USB Device/Network
Network	
Interface	1 RJ45 10M/100/1000M Adaptive Ethernet Interface
Incoming Bandwidth	300MB
Network Functions	TCP/IP, HTTP, UPnP, DNS, NTP, SMTP, DHCP, FTP, DDNS, RTSP, RTCP, p2p,PPPOE
Onvif Version	Support Onvif 2.8
POE	/
Storage	
Interface Type	2 SATA Hard Disk Interface (3.5" SATA)) Up to 12TB capacity
General	
USB Interface	1 USB 2.0 Interfaces ,1 USB 3.0 Interface
Power Supply	DC12V/4A
Working Environment	-10~55°C/10~90%
Dimension(W×D×H)	310*295*46(mm)
Weight	3.5KG (without HDD)

Network Video Recorder

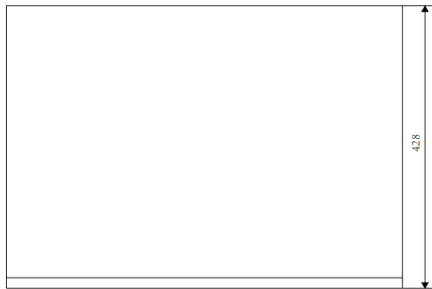
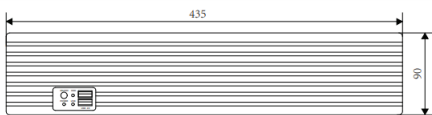
NVR64C0P4K8S



Key Features

- Third-party Network Cameras Supported
- Up to 12MP Resolution Recording and Playback
- HD and VGA Output, HD Port up to 4K (3840*2160)
- Support H.265+/H.265/H.264+/H.264 Video Format
- Support 8 SATA up to 48TB Capacity.
- Support Alarm 16CH Input and 4CH Output

Dimensions



Rear panel



Model NO. NVR64C0P4K8S

Video	
Input	64CH(4000×3000, 3840×2160, 2592×1944, 2048×1536, 1920×1080, 1280×960, 1280×720, etc)
Audio	
Audio Input	1 Port RCA
Audio Output	1 Port RCA(Linear, 1kΩ)
Audio Bit Rate	64kbps
Audio compression standard	AAC, G711u, G711a, ADPCM_DVI4
Intercom	support (two-way)
Alarm	
Alarm Input	16
Alarm Output	4
Trigger Events	Recording, Email, FTP, Snapshot, Buzzer and Screen Tips, alarm output
Display	
HD Output1	4K (3840 × 2160)/30Hz, 1920 × 1080/60Hz, 1280 × 1024/60Hz, 1280 × 720/60Hz
HD Output2	1920 × 1080/60Hz, 1280 × 1024/60Hz, 1280 × 720/60Hz
VGA	1920 × 1080/60Hz, 1280 × 1024/60Hz, 1280 × 720/60Hz
Display Split	64CHxD1/36CHxD1/25CHxD1/16CHxD1/9CHxD1/4CHxD1/1CHx1080P/1CHx3MP/1CHx4MP/1CHx5MP/1CHx4k/1CHx12MP
OSD	Camera Title, Time, Recording, Motion Detection, Event Alarm
Recording	
Video Compression	H265/H264/H265+/H264+
Record Resolution	12MP(4000×3000),4k(3840×2160),5MP(2592×1944),4MP(2688×1520/2560×1440),3MP(2048×1536),1080P(1920×1080),960P(1280×960),720P(1280×720),D1(720×576/720×480)
Record Rate	PAL: 12MP@29×25fp,4k@35×25fp,5MP@58×25fp,4MP@64×25fp,3MP@64×25fp,1080P@64×25fp,960P@64×25fp,720P@64×25fp, D1@64×25fp NTSC:12MP@29×30fp,4k@35×30fp,5MP@58×30fp,4MP@64×30fp,3MP@64×30fp,1080P@64×30fp,960P@64×30fp,720P@64×30fp, D1@64×30fp
Record Mode	Manual Timer Motion Detection Alarm Input Smart Alarm
Playback & Backup	
Local Sync Playback	3CH 12MP@15fps, 4CH 4K@30fps, 6CH 5MP@30fps, 8CH 4MP@30fps, 10CH 3M@30fps, 16CH 1080P@30fps, 16CH 960P@30fps, 16CH 720P@30fps
Decode Capability	4CH 4K(3840×2160)@30fps
Search Mode	ALL, Channel, Manual, Time, Date, Motion Detection, Event Alarm, Tag search
Backup Mode	USB Device/Network
Network	
Interface	2 RJ-45 10/100/1000Mbps self-adaptive Ethernet interfaces
Incoming Bandwidth	300MB
Network Functions	TCP/IP, HTTP, UPnP, DNS, NTP, SMTP, DHCP, FTP, DDNS, RTSP, RTCP, p2p,PPPOE
Onvif Version	Support Onvif 2.8
POE	/
Storage	
Interface Type	8 SATA Hard Disk Interface (3.5" SATA) Up to 48TB capacity
eSATA	1 eSATA interface
General	
USB Interface	2 USB 2.0 Interfaces , 1 USB 3.0 Interface
RS485	2 Port
Power Supply	AC 115 to230V,3A
Working Environment	-10~55°C/10~90%
Dimension(W×D×H)	2U, 440mm×450mm×95mm
Weight	9.8Kg (without HDD)

NVR

2MP Light Hunter IR Fixed IP Camera

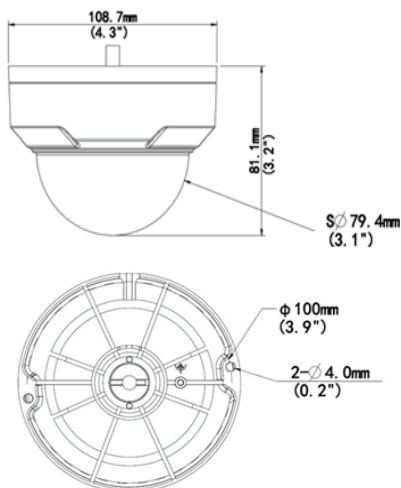
DD2I30M PRO/ DB2I40M PRO



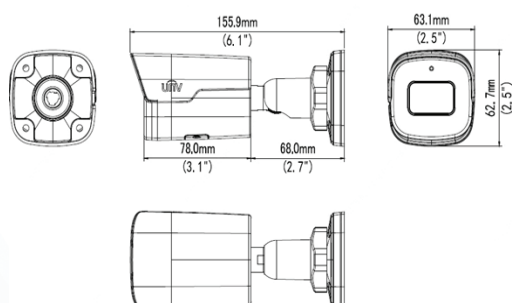
Key Features

- High quality imaging with 2MP, 1/2.8" CMOS sensor
- 2MP (1920*1080) @30/25fps; 720P (1280*720)@30/25fps
- Ultra 265, H.265, H.264, MJPEG
- Light Hunter technology
- 120dB true WDR
- Support 9:16 Corridor Mode
- Supports 256 G Micro SD card
- IP67 protection
- Support PoE power supply

Dimensions: DD2I30M PRO



Dimensions: DB2I40M PRO



Model	DD2I30M PRO	DB2I40M PRO
Camera		
Sensor	1/2.8", 2.0 megapixel, progressive scan, CMOS	
Lens	2.8mm@F1.6	3.6 mm@F1.6
Shutter	Auto/Manual, 1 ~ 1/100000s	
Minimum Illumination	Colour:0.001 Lux (F1.6, AGC ON) / 0Lux with IR	
Day/Night	IR-cut filter with auto switch (ICR)	
S/N	>52dB	
IR Range	Up to 30m (98ft) IR range	Up to 40m (131 ft.) IR range
IR On/Off Control	Auto/Manual	
Defog	Digital Defog	
WDR	120dB	
Video		
Video Compression	Ultra 265, H.265, H.264, MJPEG	
H.264 code profile	Baseline profile, Main profile, High profile	
Frame Rate	Main Stream: 2MP (1920*1080), Max 30fps; 720P (1280*720), Max 30fps; Sub Stream: 720P (1280*720), Max 30fps; D1 (720*576), Max 30fps; 640*360, Max 30fps; 2CIF(704*288), Max 30fps; CIF(352*288), Max 30fps; Third Stream: D1 (720*576), Max 30fps; 640*360, Max 30fps; 2CIF(704*288), Max 30fps; CIF(352*288), Max 30fps;	
Video Bit Rate	128 Kbps-16 Mbps	
9:16 Corridor Mode	Supported	
OSD	Up to 8 OSDs	
Privacy Mask	Up to 4 areas	
ROI	Up to 8 areas	
Motion Detection	Up to 4 areas	
Image		
White Balance	Auto/Outdoor/Fine Tune/Sodium Lamp/Locked/Auto2	
Digital Noise Reduction	2D/3D DNR	
Smart IR	Supported	
Flip	Normal/Vertical/Horizontal/180°/90°Clockwise/90°Anti-clockwise	
HLC	Supported	
BLC	Supported	
Smart	Motion detection, Tampering detection, Audio detection, Cross line/intrusion detection, enter/leave area detection, Deep learning, Smart intrusion prevention, Face capture(maximum:8)	
Audio		
Audio Compression	G.711	
Two-way Audio	Supported	
Sampling Rate	8KHZ	
Storage		
Edge Storage	Micro SD, up to 256GB	
Network Storage	ANR, NAS(NFS)	
Network		
Protocols	IPv4, IGMP, ICMP, ARP, TCP, UDP, DHCP, PPPoE, RTP, RTSP, RTCP, DNS, DDNS, NTP, FTP, UPnP, HTTP, HTTPS, SMTP, 802.1x, SNMP, QoS	
Compatible Integration	ONVIF (Profile S, Profile G, Profile T), API	
Interface		
Audio I/O	1 Input: impedance 35kΩ; amplitude 2V [p-p] 1 Output: impedance 600Ω; amplitude 2V [p-p]	/
Alarm I/O	1/1	/
Built-in Mic	/	Supported
Network	1 RJ45 10M/100M Base-TX Ethernet	
General		
Power	DC 12V±25%, PoE (IEEE 802.3af) Power consumption: Max 5.0W	Power consumption: Max 6.0W
Dimensions (Ø x H)	Φ108.7 x 81.1mm (Ø4.3" x 3.2")	155.9 x 63.1 x 62.7mm (6.1" x 2.5" x 2.5")
Net Weight	0.42kg (0.93lb)	
Material	Metal + Plastic	Metal
Working Environment	-30°C ~ 60°C (-22°F ~ 140°F), Humidity: ≤95% RH (non-condensing)	
Storage Environment	-30°C ~ 60°C (-22°F ~ 140°F), Humidity: ≤95% RH (non-condensing)	
Surge Protection	2KV	
Ingress Protection	IP67	
Vandal Resistant	IK10	/
Reset Button	N/A	Supported

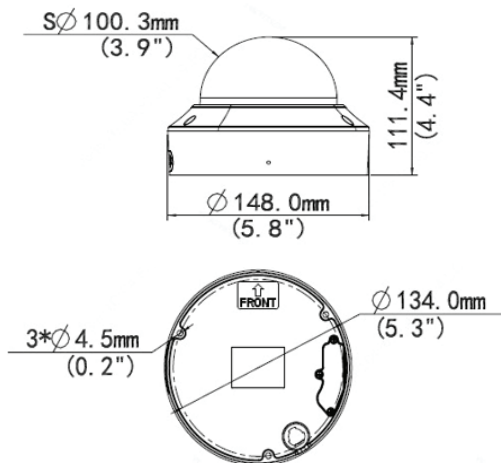
2MP Light Hunter IR Motorized IP Camera DD2I40MZ PRO/ DB2I50MZ PRO



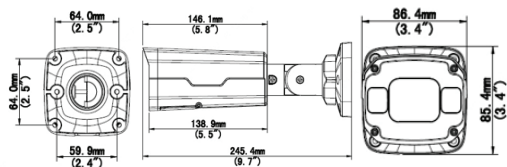
Key Features

- High quality imaging with 2MP, 1/2.8" CMOS sensor
- 2MP (1920*1080) @30/25fps; 720P (1280*720)@30/25fps
- Ultra 265, H.265, H.264, MJPEG
- Light Hunter technology
- 120dB true WDR
- Support 9:16 Corridor Mode
- Supports 256 G Micro SD card
- IP67 protection
- Support PoE power supply

Dimensions: DD2I40MZ PRO



Dimensions: DB2I50MZ PRO



Model	DD2I40MZ PRO	DB2I50MZ PRO
Camera		
Sensor	1/2.8", 2.0 megapixel, progressive scan, CMOS	
Lens	2.7 ~ 13.5mm, AF automatic focusing and motorized zoom lens	
Shutter	Auto/Manual, 1 ~ 1/100000s	
Minimum Illumination	Colour: 0.0005Lux (F1.2, AGC ON)/ 0Lux with IR on	
Day/Night	IR-cut filter with auto switch (ICR)	
S/N	>52dB	
IR Range	Up to 40m (131ft) IR range	Up to 50m (164ft) IR range
IR On/Off Control	Auto/Manual	
Defog	Digital Defog	
WDR	120dB	
Video		
Video Compression	Ultra 265, H.265, H.264, MJPEG	
H.264 code profile	Baseline profile, Main profile, High profile	
Frame Rate	Main Stream: 2MP (1920*1080), Max 30fps; 720P (1280*720), Max 30fps; Sub Stream: 720P (1280*720), Max 30fps; D1 (720*576), Max 30fps; 640*360, Max 30fps; 2CIF(704*288), Max 30fps; CIF(352*288), Max 30fps; Third Stream: D1 (720*576), Max 30fps; 640*360, Max 30fps; 2CIF(704*288), Max 30fps; CIF(352*288), Max 30fps;	
Video Bit Rate	128 Kbps~16 Mbps	
9:16 Corridor Mode	Supported	
OSD	Up to 8 OSDs	
Privacy Mask	Up to 4 areas	
ROI	Up to 8 areas	
Motion Detection	Up to 4 areas	
Image		
White Balance	Auto/Outdoor/Fine Tune/Sodium Lamp/Locked/Auto2	
Digital Noise Reduction	2D/3D DNR	
Smart IR	Supported	
Flip	Normal/Vertical/Horizontal/180°/90°Clockwise/90°Anti-clockwise	
HLC	Supported	
BLC	Supported	
Smart	Motion detection, Tampering detection, Audio detection, Cross line/intrusion detection, enter/leave area detection, Deep learning, Smart intrusion prevention, Face capture(maximum:8)	
Audio		
Audio Compression	G.711	
Two-way Audio	Supported	
Suppression	Supported	
Sampling Rate	8KHZ	
Storage		
Edge Storage	Micro SD, up to 256GB	
Network Storage	ANR, NAS(NFS)	
Network		
Protocols	IPv4, IGMP, ICMP, ARP, TCP, UDP, DHCP, PPPoE, RTP, RTSP, RTCP, DNS, DDNS, NTP, FTP, UPnP, HTTP, HTTPS, SMTP, 802.1x, SNMP, QoS	
Compatible Integration	ONVIF (Profile S, Profile G, Profile T), API	
Interface		
Audio I/O	1 Input: impedance 35kΩ; amplitude 2V [p-p] 1 Output: impedance 600Ω; amplitude 2V [p-p]	
Alarm I/O	1/1	
Built-in Mic	Supported	N/A
Network	1 RJ45 10M/100M Base-TX Ethernet	
General		
Power	DC 12V±25%, PoE (IEEE 802.3af) Power consumption: Max 7.0W	
Dimensions (Ø x H)	Ø148.0 x 111.4mm (Ø5.8" x 4.4")	245.4 x 85.4 x 86.4mm (9.7" x 3.4" x 3.4")
Net Weight	0.97kg (2.14lb)	0.92kg (2.03lb)
Material	Metal + Plastic	Metal
Working Environment	-30°C ~ 60°C (-22°F ~ 140°F), Humidity: ≤95% RH (non-condensing)	
Storage Environment	-30°C ~ 60°C (-22°F ~ 140°F), Humidity: ≤95% RH (non-condensing)	
Surge Protection	6KV	
Ingress Protection	IP67	
Vandal Resistant	IK10	
Reset Button	Supported	N/A

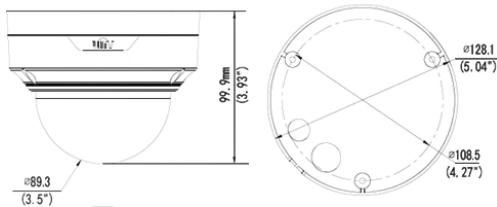
4MP IR Motorized IP Camera DD4I30MZ PRO/ DB4I50MZ PRO



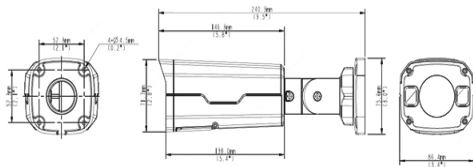
Key Features

- High quality imaging with 4MP, 1/3" CMOS sensor
- Ultra 265, H.265, H.264, MJPEG
- 120dB true WDR
- 2D/3D DNR (Digital Noise Reduction)
- IP67 protection
- Support PoE power supply

Dimensions: DD4I30MZ PRO



Dimensions: DB4I50MZ PRO



Model	DD4I30MZ PRO	DB4I50MZ PRO
Camera		
Sensor	1/3", 4.0 megapixel, progressive scan, CMOS	
Lens	2.8 ~ 12mm, AF automatic focusing and motorized zoom lens	
Shutter	Auto/Manual, 1 ~ 1/100000s	
Minimum Illumination	Color: 0.003Lux (F1.6, AGC ON) 0Lux with IR	
Day/Night	IR-cut filter with auto switch (ICR)	
S/N	>56dB	
IR Range	Up to 30m (98ft) IR range	Up to 50m (164ft) IR range
IR On/Off Control	Auto/Manual	
Defog	Digital Defog	
WDR	120dB	
Video		
Video Compression	Ultra 265, H.265, H.264, MJPEG	
H.264 code profile	Baseline profile, Main Profile	
Frame Rate	Main Stream: 4MP (2688*1520), Max 30fps; 4MP (2560*1440), Max 30fps; 3MP (2304*1296), Max 30fps; 1080P(1920*1080), Max 30fps Sub Stream: 4CIF (704*576), Max 30fps; Third Stream: CIF (352*288), Max 30fps	
Video Bit Rate	128 Kbps~16 Mbps	
OSD	Up to 4 OSDs	
Privacy Mask	Up to 4 areas	
ROI	Up to 2 areas	
Motion Detection	Up to 4 areas	
Image		
White Balance	Auto/Outdoor/Fine Tune/Sodium Lamp/Locked/Auto2	
Digital noise reduction	2D/3D DNR	
Smart IR	Support	
Flip	Normal/Vertical/Horizontal/180°	
HLC	Supported	
BLC	Supported	
Smart	Motion detection, Tampering detection, Audio detection, intrusion detection, Human body detection	
Audio		
Audio Compression	G.711	
Suppression	Supported	
Sampling Rate	8KHZ	
Storage		
Edge Storage	Micro SD, up to 256GB	
Network Storage	ANR	
Network		
Protocols	IPv4, IGMP, ICMP, ARP, TCP, UDP, DHCP, RTP, RTSP, RTCP, DNS, DDNS, NTP, FTP, UPnP, HTTP, HTTPS, SMTP, SSL	
Compatible Integration	ONVIF (Profile S, Profile G, Profile T), API	
Interface		
Audio I/O	Input: impedance 35kΩ; amplitude 2V [p-p] Output: impedance 600Ω; amplitude 2V [p-p]	
Alarm I/O	1/1	
Network	10M/100M Base-TX Ethernet	
General		
Power	DC 12V±25%, PoE (IEEE 802.3af) Power consumption: Max 8.7W	Power consumption: Max 9.5W
Dimensions (Ø x H)	Φ128.1mmx99.9mm (Ø5.04" x 3.93")	240.3 x 86.4 x 75.6mm (9.5" x 3.4" x 3.0")
Net Weight	0.57kg (1.26lb)	1.0kg (2.2lb)
Material	Metal + Plastic	Metal
Working Environment	-35°C ~ 60°C (-31°F ~ 140°F), Humidity: ≤95% RH (non-condensing)	-30°C ~ 60°C (-22°F ~ 140°F), Humidity: ≤95% RH (non-condensing)
Storage Environment	-35°C ~ 60°C (-31°F ~ 140°F), Humidity: ≤95% RH (non-condensing)	-30°C ~ 60°C (-22°F ~ 140°F), Humidity: ≤95% RH (non-condensing)
Surge Protection	6KV	
Ingress Protection	IP67	
Vandal Resistant	IK10	
Reset Button	Supported	

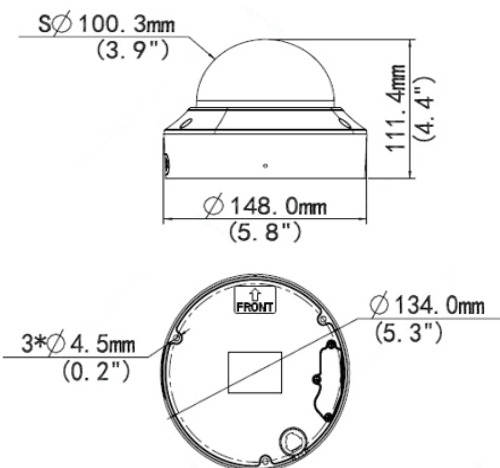
5MP Light Hunter IR Motorized IP Camera DD5140MZ PRO/ DB5150MZ PRO



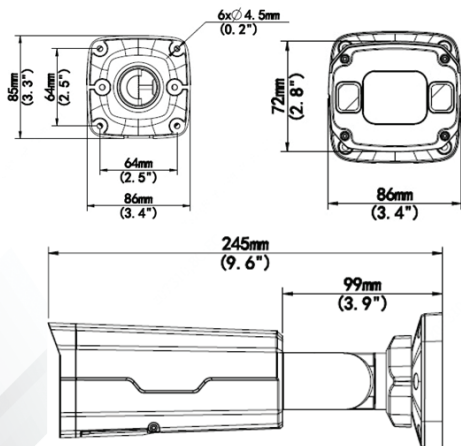
Key Features

- High quality image with 5MP, 1/2.7" CMOS sensor
- Ultra 265, H.265, H.264, MJPEG
- Light Hunter technology
- 120dB true WDR
- Support 9:16 Corridor Mode
- Supports 256 G Micro SD card
- IP67 protection
- Support PoE power supply

Dimensions: DD5140MZ PRO



Dimensions: DB5150MZ PRO



Model	DD5140MZ PRO	DB5150MZ PRO
Camera		
Sensor	1/2.7", 5.0 megapixel, progressive scan, CMOS	
Lens	2.7 ~ 13.5mm, AF automatic focusing and motorized zoom lens	
Shutter	Auto/Manual, 1 ~ 1/100000s	
Minimum Illumination	Colour:0.002 Lux (F1.2, AGC ON) 0Lux with IR	
Day/Night	IR-cut filter with auto switch (ICR)	
Digital Noise Reduction	2D/3D DNR	
S/N	>56dB	
IR Range	Up to 40m (131ft) IR range	Up to 50m (164ft) IR range
IR On/Off Control	Auto/Manual	
Defog	Digital Defog	
WDR	120dB	
Video		
Video Compression	Ultra 265, H.265, H.264, MJPEG	
H.264 code profile	Baseline profile, Main profile, High profile	
Frame Rate	Main Stream:5MP (2880*1620), Max 30fps; 4MP (2560*1440), Max 30fps; 3MP (2304*1296), Max 30fps; 1080P (1920*1080), Max 30fps; Sub Stream: 720P (1280*720), Max 30fps; D1 (720*576), Max 30fps; 640*360,Max 30fps; 2CIF(704*288), Max 30fps; CIF(352*288), Max 30fps; Third Stream: D1 (720*576), Max 30fps; 640*360,Max 30fps; 2CIF(704*288), Max 30fps; CIF(352*288), Max 30fps; 128 Kbps~16 Mbps	
Video Bit Rate	Up to 8 OSDs	
OSD	Up to 4 areas	
Privacy Mask	Up to 8 areas	
ROI	Up to 4 areas	
Motion Detection	Up to 4 areas	
Image		
White Balance	Auto/Outdoor/Fine Tune/Sodium Lamp/Locked/Auto2	
Smart IR	Support	
Flip	Normal/Vertical/Horizontal/180°/90°Clockwise/90°Anti-clockwise	
HLC	Supported	
BLC	Supported	
Smart	Motion detection, Tampering detection, Audio detection, Cross line/intrusion detection, enter/leave area detection, Deep learning, Smart intrusion prevention, Face capture(maximum:8)	
Audio		
Audio Compression	G.711	
Two-way audio	Supported	
Suppression	Supported	
Sampling Rate	8KHZ	
Storage		
Edge Storage	Micro SD, up to 256GB	
Network Storage	ANR, NAS(NFS)	
Network		
Protocols	IPv4, IGMP, ICMP, ARP, TCP, UDP, DHCP, RTP, RTSP, RTCP, DNS, DDNS, NTP, FTP, UPnP, HTTP, HTTPS, SMTP, SSL, SNMP	
Compatible Integration	ONVIF (Profile S, Profile G, Profile T), API	
Interface		
Audio I/O	Input: impedance 35kΩ; amplitude 2V *p-p] Output: impedance 600Ω; amplitude 2V *p-p]	
Alarm I/O	1/1	
Built-in Mic	Supported	N/A
Network	1 RJ45 10M/100M Base-TX Ethernet	
General		
Power	DC 12V±25%, PoE (IEEE 802.3af) Power consumption: Max 7.0 W	
Dimensions (Ø x H)	Φ148.0 x 111.4mm (Ø5.8" x 4.4")	245 × 86 × 72mm (9.6" × 3.4" × 2.8")
Net Weight	0.97kg (2.12lb)	0.92kg (2.0lb)
Material	Metal + Plastic	Metal
Working Environment	-30°C ~ 60°C (-22°F ~ 140°F), Humidity: ≤95% RH (non-condensing)	
Surge Protection	6KV	
Reset Button	Supported	
Ingress Protection	IP67	
Vandal Resistant	IK10	
Reset Button	Supported	N/A

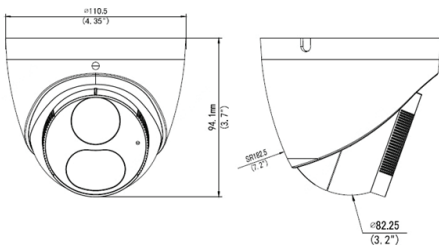
5MP Color Hunter IR Fixed IP Camera DD5S30M PRO/ DB5S30M PRO



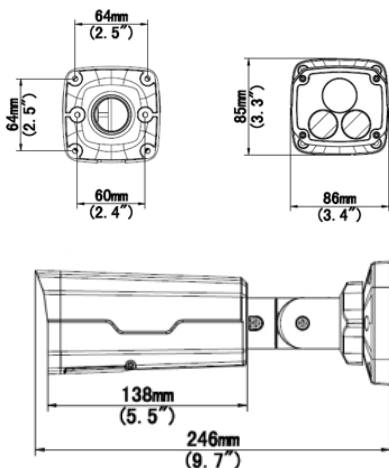
Key Features

- High quality image with 5MP, 1/2.7" CMOS sensor
- Ultra 265, H.265, H.264, MJPEG
- Color hunter technology ensures 24-hour full-color
- 120dB true WDR
- Support 9:16 Corridor Mode
- Supports 256 G Micro SD card
- IP67 protection
- Support PoE power supply

Dimensions: DD5S30M PRO



Dimensions: DB5S30M PRO



Model	DD5S30M PRO	DB5S30M PRO
Camera		
Sensor	1/2.7", 5.0 megapixel, progressive scan, CMOS	
Lens	2.8mm@F1.0	3.6 mm@F1.0
Shutter	Auto/Manual, 1 ~ 1/100000s	
Minimum Illumination	Colour: 0.001Lux (F1.0, AGC ON)	
S/N	>56dB	
Defog	Digital Defog	
WDR	120dB	
LEDs Number	2	
LED Distance	Up to 30m (98ft)	
Video		
Video Compression	Ultra265, H.265, H.264, MJPEG	
H.264 code profile	Baseline profile, Main profile, High profile	
Frame Rate	Main Stream: 5MP (2880*1620), Max 30fps; 4MP (2560*1440), Max 30fps; 3MP (2304*1296), Max 30fps; 2MP (1920*1080), Max 30fps; Sub Stream: 720P (1280*720), Max 30fps; D1 (720*576), Max 30fps; 640*360, Max 30fps; 2CIF (704*288), Max 30fps; CIF (352*288), Max 30fps; Third Stream: D1 (720*576), Max 30fps; 640*360, Max 30fps; 2CIF (704*288), Max 30fps; CIF (352*288), Max 30fps;	
Video Bit Rate	128 Kbps~16 Mbps	
9:16 Corridor Mode	Supported	
OSD	Up to 8 OSDs	
Privacy Mask	Up to 4 areas	
ROI	Up to 8 areas	
Image		
White Balance	Auto/Outdoor/Fine Tune/Sodium Lamp/Locked/Auto2	
Digital noise reduction	2D/3D DNR	
Smart Illumination	Support	
Flip	Normal/Vertical/Horizontal/180°/90°Clockwise/90°Anti-clockwise	
HLC	Support	
BLC	Support	
Smart	Motion detection, Tampering detection, Audio detection, Cross line/intrusion detection, enter/leave area detection, Deep learning, Smart intrusion prevention, Face capture(maximum:8)	
Audio		
Audio Compression	G.711	
Suppression	Supported	
Sampling Rate	8KHZ	
Storage		
Edge Storage	Micro SD, up to 256GB	
Network Storage	ANR, NAS(NFS)	
Protocols	IPv4, IGMP, ICMP, ARP, TCP, UDP, DHCP, PPPoE, RTP, RTSP, RTCP, DNS, DDNS, NTP, FTP, UPnP, HTTP, HTTPS, SMTP, 802.1x, SNMP, QoS	
Compatible Integration	ONVIF (Profile S, Profile G, Profile T), API	
Interface		
Audio I/O	N/A	Input: impedance 35kΩ; amplitude 2V [p-p] Output: impedance 600Ω; amplitude 2V [p-p]
Alarm I/O	N/A	1/1
Built-in Mic	Supported	N/A
Network	1 RJ45 10M/100M Base-TX Ethernet	
General		
Power	DC 12V±25%, PoE (IEEE 802.3af)	Power consumption: Max 9.0W
Dimensions (Ø x H)	Φ110.5 x 94.1mm (Ø4.4" x 3.7")	246 × 86 × 85mm (9.7" × 3.4" × 3.3")
Net Weight	0.44kg (0.97lb)	0.92kg (2.02lb)
Material	metal	
Working Environment	-30°C ~ 60°C (-22°F ~ 140°F), Humidity: ≤95% RH (non-condensing)	
Storage Environment	-30°C ~ 60°C (-22°F ~ 140°F), Humidity: ≤95% RH (non-condensing)	
surge protection	2KV	4KV
Ingress Protection	IP67	
Vandal Resistant	N/A	IK10
Reset Button	N/A	

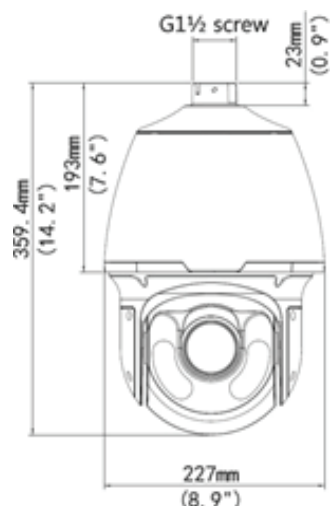
2MP 30x IR Network PTZ Dome Camera DPT2X30PRO



Key Features

- 30X Optical Zoom
- Accurate and fast focusing
- Smart IR, up to 150m (492ft) IR distance
- 120dB true WDR
- Ultra 265, H.265, H.264, MJPEG
- Customized OSD

Dimensions



Camera	DPT2X30PRO
Sensor	1/2.8", 2.0 megapixel, progressive scan, CMOS
Lens	4.5 ~ 135mm, AF automatic focusing and motorized zoom lens
Digital Zoom	16
Optical Zoom	30
Shutter	Auto/Manual; shutter time: 1 ~ 1/100000s
Minimum Illumination	Color: 0.001Lux (F1.5, AGC ON) / 0Lux with IR
Iris	Auto; F1.5 ~ F4.0
Day/Night	IR-cut filter with auto switch (ICR)
Digital noise reduction	2D/3D DNR
S/N	>52dB
IR Range	Up to 150m (492ft)
Defog	Digital Defog
WDR	120dB
Video	
Video Compression	Ultra 265, H.265, H.264, MJPEG
H.264 code profile	Baseline profile, Main Profile, High Profile
Frame Rate	Main Stream: 2MP (1920*1080), Max 60fps; Sub Stream: 2MP (1920*1080), Max 60fps, Third Stream: D1 (720*576), Max 60fps
HLC / BLC / EIS	Supported
Privacy Mask	Up to 24 areas
ROI	Up to 8 areas
Motion Detection	Up to 4 areas
General Function	Watermark, IP Address Filtering, Tampering Alarm, Alarm input, Alarm output, Access Policy, ARP Protection, RTSP Authentication, User Authentication
Smart	motion detection-tampering detection-audio detection, cross line detection-intrusion detection-object left behind and object re moved detection-people counting, face detection (max 8),Auto tracking
Audio	
Audio Compression	G.711
Two-way audio	Supported
Suppression	Supported
Sampling Rate	8KHZ
Storage	
Edge Storage	Micro SD, up to 256GB
Network Storage	ANR
Network	
Protocols	IPv4, IGMP, ICMP, ARP, TCP, UDP, DHCP, PPPoE, RTP, RTSP, RTCP, DNS, DDNS, NTP, FTP, UPnP, HTTP, HTTPS, SMTP, 802.1x, SNMP, QoS, RTMP
Compatible Integration	ONVIF (Profile S, Profile G, Profile T), API
Pan & Tilt	
Number of Presets	1024
Patrol	Up to 16 patrols, up to 32 presets per patrol <i>Note: The total number of patrols and patterns is 16.</i>
Home Position	Supported
Interface	
Audio I/O	Audio cable Input: impedance 35kΩ; amplitude 2V [p-p] Output: impedance 600Ω; amplitude 2V [p-p]
Alarm I/O	1/1
Network	1RJ45 10M/100M Base-TX Ethernet
Power	AC 24V±25%, DC 24V±25%, PoE (PSE Required) Power consumption: Max 44W
Dimensions (Ø x H)	Ø227 x 359.4mm (Ø8.9" x 14.2")
Weight	5.28kg (11.6lb)
Working Environment	-40°C ~ 65°C (-40°F ~ 149°F), Humidity: ≤95% RH (non-condensing)
Ingress Protection	IP66
Vandal Resistant	IK10

4MP Network IR PTZ Dome Camera

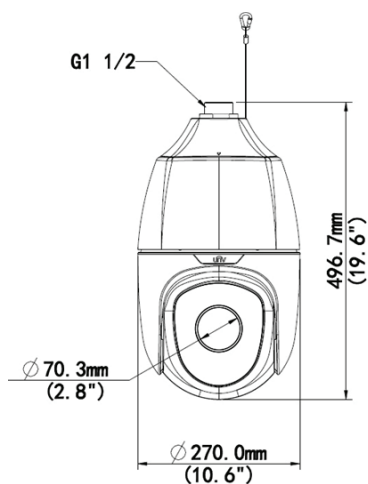
DPT4X38PRO



Key Features

- 38X Optical Zoom
- Starlight illumination
- Accurate and fast focusing
- Smart IR, up to 250m (820ft) IR distance
- 120dB true WDR
- Ultra 265, H.265, H.264, MJPEG
- Customized OSD

Dimensions



Camera

Sensor	1/1.8", 4.0 megapixel, progressive scan, CMOS
Lens	5.7 ~ 216.6mm, AF automatic focusing and motorized zoom lens
Digital Zoom	16
Optical Zoom	38
Shutter	Auto/Manual; shutter time: 1 ~ 1/100000s
Minimum Illumination	Color: 0.0005Lux (F1.3, AGC ON) 0Lux with IR
Iris	Auto/Manual; F1.3 ~ F4.6
Day/Night	IR-cut filter with auto switch (ICR)
Digital noise reduction	2D/3D DNR
S/N	>55dB
IR Range	UP to 250m (820ft)
Defog	Optical Defog & Digital Defog
WDR	120dB

Video

Video Compression	Ultra 265, H.265, H.264, MJPEG
H.264 code profile	Baseline profile, Main Profile, High Profile
Frame Rate	Main Stream: 4MP (2688*1520), Max 60fps; Sub Stream: 2MP (1920*1080), Max 60fps; Third Stream: D1 (720*576), Max 60fps
HLC/ BLC	Supported
EIS	Supported (Gyroscope)
OSD	Up to 8 OSDs
Privacy Mask	Up to 24 areas
ROI	Up to 8 areas
Motion Detection	Up to 4 areas
Smart	motion detection-tampering detection-audio detection, cross line detection-intrusion detection-object left behind and object re moved detection-people counting, face detection (max 8),Auto tracking

Audio

Audio Compression	G.711
Two-way audio	Supported
Suppression	Supported
Sampling Rate	8KHZ

Storage

Edge Storage	Micro SD, up to 256GB
Network Storage	ANR

Network

Protocols	IPv4, IGMP, ICMP, ARP, TCP, UDP, DHCP, PPPoE, RTP, RTSP, RTCP, DNS, DDNS, NTP, FTP, UPnP, HTTP, HTTPS, SMTP, 802.1x, SNMP, QoS
Compatible Integration	ONVIF (Profile S, Profile G, Profile T), API

Pan & Tilt

Pan Range	360° (endless)
Number of Presets	1024
Patrol	Preset patrol, route patrol, recorded patrol
Home Position	Supported

Interface

Audio I/O	Audio cable
Alarm I/O	2/1
Serial Port	1 RS485
Network	1 RJ45 10M / 100M Base-TX Ethernet
Power	AC 24V ±25%, DC 24V ±25%, PoE++ (IEEE 802.3bt) (IEEE802.3bt switch required) Power consumption: 16 ~ 51W
Dimensions (Ø x H)	Φ270 x 496.7mm (Φ10.6" x 19.6")
Weight	9.69kg (21.4lb)
Working Environment	-40°C ~ 70°C (-40°F ~ 158°F), Humidity: ≤95% RH (non-condensing)
Ingress Protection	IP66
Reset Button	Supported

Network Video Recorder

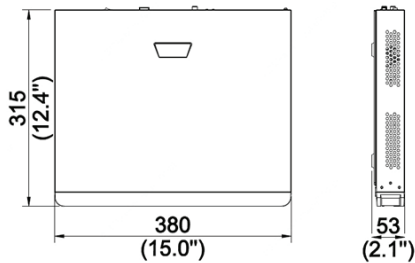
NVR16C0P4K2SPRO / NVR16C16P4K2SPRO



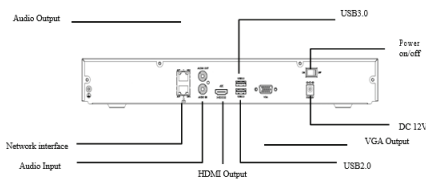
Key Features

- Support Ultra265/H.265/H.264 video formats
- 16-channel input
- Third-party IP cameras supported with ONVIF conformance
- HDMI and VGA simultaneous output
- Up to 8 Megapixels resolution recording
- 2 SATA HDDs, up to 6TB for each HDD
- Support cloud upgrade

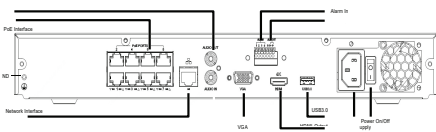
Dimensions



Rear Panel: NVR16C0P4K2SPRO



Rear Panel: NVR16C16P4K2SPRO



Model	NVR16C0P4K2SPRO	NVR16C16P4K2SPRO
Video/Audio Input		
IP Video Input	16-ch	
Two-way Audio Input	1-ch, RCA	
Network		
Incoming bandwidth	160Mbps	
Outgoing bandwidth	64Mbps	
Remote Users	128	
Protocols	P2P, UPnP, NTP, DHCP, PP PoE	
Video/Audio Output		
HDMI/VGA Output	HDMI:4K (3840x2160)@30, 1920x1080p@60, 1920x1080p@50, 1600x1200@60, 1280x1024@60, 1280x720@60, 1024x768@60 VGA:1920x1080p@60, 1920x1080p@50, 1280x1024@60, 1280x720@60, 1024x768@60	
Audio Output	1-ch, RCA	
Recording Resolution	8MP/6MP/5MP/4MP/3MP/1080p/960p/720p/D1/2CIF/CIF	
Synchronous Playback	16-ch	
Corridor Mode Screen	3/4/5/7/9/10/12/16	
Decoding		
Decoding format	Ultra265/H.265/H.264	
Live view/Playback	8MP/6MP/5MP/4MP/3MP/1080p/960p/720p/D1/2CIF/CIF	
Capability	2 x 4K@30, 3 x 5MP@30, 4 x 4MP@30, 5 x 3MP@30, 8 x 1080p@30, 16 x 720p@30	
Hard Disk		
SATA	2 SATA interfaces	
Capacity	up to 6TB for each disk	Up to 10TB for each disk
External Interface		
Network Interface	2 RJ-45 10M/100M/1000M self-adaptive Ethernet Interface	1 RJ-45 10M/100M/1000M self-adaptive Ethernet Interface
USB Interface	Rear panel:1 x USB2.0, 1xUSB3.0 Front panel:1x USB2.0	Front panel: 1xUSB2.0, Rear panel: 1xUSB3.0
Alarm In	N/A	4-ch
Alarm Out	N/A	1-ch
POE Interface	N/A	16 RJ-45 10M/100M self-adaptive Ethernet Interface, Max 30W for single port Max 240W in total
Supported Standard	IEEE 802.3af/at	
General		
Power Supply	12V DC Power Consumption: ≤ 15 W (without HDD)	100 ~ 240 V AC Power Consumption: ≤10W(without HDD)
Working Environment	-10°C~+ 55°C (+14°F~+131°F), Humidity ≤ 90% RH (non-condensing)	
Dimensions (W×D×H)	380mm × 315mm ×53mm (15.0" × 12.4" ×2.1")	
Weight (without HDD)	≤ 0.98Kg (2.16lb)	≤2.6kg (5.73lb)

Network Video Recorder

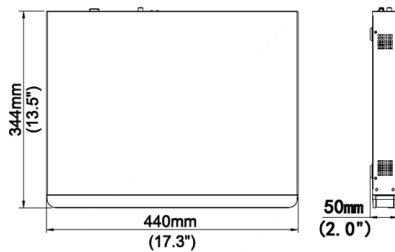
NVR32C0P4K4S PRO



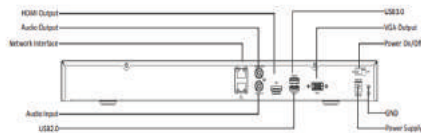
Key Features

- Support Ultra265/H.265/H.264 video formats
- 32-channel input
- HDMI and VGA simultaneous output
- Up to 8 Megapixels resolution recording
- Accurate retrieval, instant playback
- 4 SATA HDDs, up to 6TB for each HDD
- Support cloud upgrade

Dimensions



Rear Panel



Model NVR32C0P4K4S PRO

Video/Audio Input	
IP Video Input	32-ch
Two-way Audio Input	1-ch, RCA
Network	
Incoming bandwidth	160Mbps
Outgoing bandwidth	64Mbps
Remote Users	128
Protocols	P2P, UPnP, NTP, DHCP, PPPoE
Video/Audio Output	
HDMI/VGA Output	HDMI:4K (3840x2160) @30, 1920x1080p@60, 1920x1080p@50, 1600x1200@60, 1280x1024@60, 1280x720@60, 1024x768@60 VGA:1920x1080p@60, 1920x1080p@50, 1280x1024@60, 1280x720@60, 1024x768@60
Audio Output	1-ch, RCA
Recording Resolution	8MP/5MP/4MP/3MP/1080p/960p/720p/960H/D1/2CIF/CIF
Synchronous Playback	16ch
Corridor Mode Screen	3/4/5/7/9/10/12/16/32
Decoding	
Decoding format	Ultra265/H.265/H.264
Live view/ Playback	8MP/5MP/4MP/3MP/1080p/960p/960H/720p/D1/2CIF/CIF
Capability	2 x 4K@30, 3 x 5MP@30, 4 x 4MP@30, 5 x 3MP@30, 8 x 1080p@30, 16 x 720p@30, 32 x D1
Hard Disk	
SATA	4 SATA interfaces
Capacity	up to 6TB for each disk
External Interface	
Network Interface	2 RJ-45 10M/100M/1000M self-adaptive Ethernet Interfaces
USB Interface	Rear panel: 1 x USB2.0, 1 x USB3.0 Front panel: 1 x USB2.0
General	
Power Supply	12V DC Power Consumption: ≤ 15W(without HDD)
Working Environment	-10°C ~ + 55°C (+14°F ~ +131°F), Humidity ≤ 90% RH(non-condensing)
Dimensions (W×D×H)	440mm × 344mm × 50mm (17.3" × 13.5" × 2.0")
Weight (without HDD)	≤ 3.15 Kg (6.94 lb)

Network Video Recorder

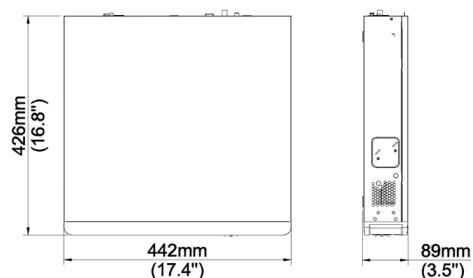
NVR32C0P4K8S PRO



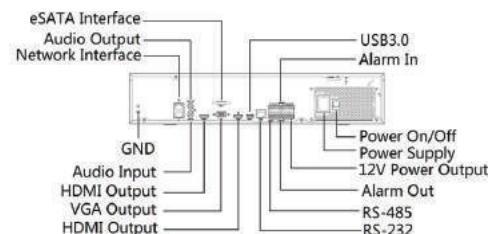
Key Features

- Support Ultra H.265/H.265/H.264 video formats
- 32-channel input
- Support 2-ch HDMI, 1-ch VGA. HDMI1 and HDMI2
- HDMI1, HDMI2, VGA independent outputs provided
- Up to 12 Megapixels resolution recording
- Support RAID 0, 1, 5, 6, 10
- 8 SATA HDDs, Up to 10TB for each HDD
- Support N+1 Hot spare
- Support for 12V Power output
- Support cloud upgrade

Dimensions



Rear Panel



Model

NVR32C0P4K8S PRO

Video/Audio Input

IP Video Input	32-ch
Two-way Audio Input	1-ch, RCA

Network

Incoming Bandwidth	384Mbps
Outgoing Bandwidth	384Mbps
Remote Users	128
Protocols	P2P, UPnP, NTP, DHCP, PPPoE

Video/Audio Output

HDMI/VGA Output	VGA: 1920x1080p/60Hz, 1920x1080p/50Hz, 1600x1200/60Hz, 1280x1024/60Hz, 1280x720/60Hz, 1024x768/60Hz HDMI1/HDMI2(HDMI audio output is not supported): 4K (3840x2160)/30Hz, 1920x1080p/60Hz, 1920x1080p/50Hz, 1600x1200/60Hz, 1280x1024/60Hz, 1280x720/60Hz, 1024x768/60Hz
Recording Resolution	12MP/8MP/6MP/5MP/4MP/3MP/1080p/960p/720p/D1/2CIF/CIF
Audio Output	1-ch, RCA
Synchronous Playback	32-ch
Corridor Mode Screen	3/4/5/7/9/10/12/16/32

Decoding

Decoding format	Ultra 265, H.265, H.264
Live view/Playback	12MP/8MP/6MP/5MP/4MP/3MP/1080p/960p/720p/D1/2CIF/CIF
Capability	2 x 12MP@30, 4 x 4K@30, 8 x 4MP@30, 9 x 4MP@25, 16 x 1080P@30, 32 x 960P@25

Hard Disk

SATA	8 SATA interfaces
Capacity	up to 10TB for each HDD
eSATA	1 eSATA interface

Disk Array

Array Type	RAID 0, 1, 5, 6, 10
------------	---------------------

External Interface

Network Interface	2 RJ45 10M/100M/1000M self-adaptive Ethernet Interfaces
Serial Interface	1 x RS232, 1 x RS485
USB Interface	Front panel: 2 x USB2.0, Rear panel: 1 x USB3.0
Alarm In	16-ch
Alarm Out	4-ch

General

Power Supply	100~240 VAC Power Consumption: ≤ 25 W (without HDD)
Working Environment	-10°C~+ 55°C (+14°F~+131°F), Humidity ≤ 90% RH (non-condensing)
Dimensions (W×D×H)	442mm × 426mm × 89mm (17.4" × 16.8" × 3.5")
Weight (without HDD)	≤ 5.7Kg (12.57lb)

Network Video Recorder

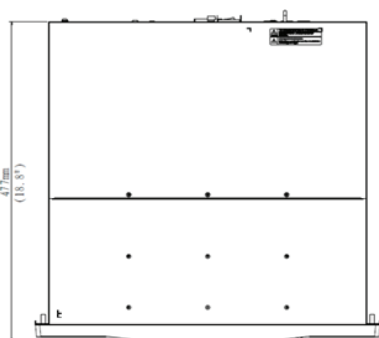
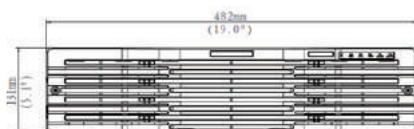
NVR64C0P12M16S PRO



Key Features

- Support Ultra 265/H.265/H.264 video formats
- 64-channel input
- Support 2-ch HDMI, 1-ch VGA, HDMI
- HDMI1, HDMI2 and VGA independent outputs provided
- Up to 12 Megapixels resolution recording
- Redundant power supply
- 2 decoding cards optional, up to 12-ch HDMI
- Support HDD hot swap with RAID 0, 1, 5, 6, 10, 50, 60
- 16 SATA HDDs, up to 10TB for each HDD
- Support N+1 Hot spare

Dimensions



Rear Panel



(1) GND	(2) SFP Interface	(3) Adaptive Interface
(4) RS485	(5) RS232	(6) USB
(7) eSATA	(8) Audio Input	(9) HDMI Output
(10) Audio Output	(11) VGA Output	(12) miniSAS
(13) Power Button	(14) RST	(15) Alarm Input
(16) Alarm Output	(17) 12V DC Output	(18) Decoding Card 1 (optional)
(19) Power Supply 1	(20) Power Supply 2(optional)	(21) Decoding Card 2 (optional)

Model NVR64C0P12M16S PRO

Video/Audio Input	
IP Video Input	64-ch
Two-way Audio Input	1-ch, BNC
Network	
Incoming Bandwidth	384Mbps
Outgoing Bandwidth	384Mbps
Remote Users	128
Video/Audio Output	
HDMI/VGA Output	VGA: 1920x1080p/60Hz, 1920x1080p/50Hz, 1600x1200/60Hz, 1280x1024/60Hz, 1280x720/60Hz, 1024x768/60Hz HDMI1: 4K (3840x2160)/30Hz, 1920x1080p/60Hz, 1920x1080p/50Hz, 1600x1200/60Hz, 1280x1024/60Hz, 1280x720/60Hz, 1024x768/60Hz HDMI2: 4K(3840x2160)/30Hz, 1920x1080p/60Hz, 1920x1080p/50Hz, 1600x1200/60Hz, 1280x1024/60Hz, 1280x720/60Hz, 1024x768/60Hz
Recording Resolution	12MP/8MP/6MP/5MP/4MP/3MP/1080p/960p/720p/D1/2CIF/CIF
Audio Output	1-ch, BNC
Synchronous Playback	16-ch
Corridor Mode Screen	3/4/5/7/9/10/12/16/32
Decoding	
Decoding format	Ultra 265, H.265, H.264
Live view/Playback	12MP/8MP/6MP/5MP/4MP/3MP/1080p/960p/720p/D1/2CIF/CIF
Capability	4 x 12MP@20, 4 x 4K@30, 16 x 1080p@30, 36 x 720p@30, 64 x D1
Hard Disk	
SATA	16 SATA interfaces
Capacity	up to 10TB for each HDD
eSATA	1 eSATA interface
Mini SAS	2 mini SAS ports
Smart	
VCA Detection	Face detection, Intrusion detection, Cross line detection, Audio detection, Defocus detection, Scene change detection, Auto tracking
VCA Search	Face search, Behavior search
Statistical Analysis	People counting
Disk Array	
Array Type	RAID 0/1/5/6/10/50/60
External Interface	
Network Interface	4 RJ-45 10M/100M/1000M adaptive Ethernet Interface 2 1000M SFP Ethernet Interface
Serial Interface	1 x RS232, 1 x RS485
USB Interface	Rear panel: 4 x USB3.0
Alarm In / Out	24 / 8
Decoding Card (optional)	2 slots (4-ch HDMI or 6-ch HDMI outputs per card)
Power Output	12V
General	
Power Supply	100 ~ 240V AC Power Consumption: ≤ 50 W (without HDD)
Working Environment	-10°C ~ + 55°C (+14°F ~ +131°F), Humidity ≤ 90% RH (non-condensing)
Chassis	19-inch rack-mounted 3U chassis
Dimensions	482mm × 477mm × 131mm (18.8" × 19.0" × 5.1")
Weight (without HDD)	≤ 10 Kg (22.05 lb)

Network Keyboard HD KB3DA

Key Features

- HD PTZ Controller with 3D (pan/ tilt /zoom)
- 5" colorful LED display
- 3D joystick
- Communication Protocol: PELCO-D, PELCO-P,SAMSUNG, YAAN, SAE



Model NO.	KB3DA
Product	Vector Keyboard
Power Supply	DC12V+10%/50HZ 500mA
Operating Temperature	-20°C~+55°C
Operating Humidity	≤90% Non-Condensing
Communication	RS-485
Interface	4PIN Line Pressing Terminals
Baud Rate	1200bps, 2400bps, 4800bps, 9600bps, 19200bps
Communication Protocol	PELCO-D, PELCO-P,SAMSUNG, YAAN, SAE
Communication between Camera and Keyboard	One point to multi points Half duplex
Joystick	Vector variable speed joystick
Display	LCD
Communication Distance	1.2km
Control Camera Quantity	128
OSD Menu	English
Dimension	220x130x10(mm)

Network Keyboard IP KB3DN

Key Features

- IP PTZ Controller with 3D (pan/ tilt /zoom)
- ONVIF2.4 compatible
- 5" colorful LED display
- 3D joystick
- Support USB and HDMI output
- Plug and Play, automatically add and distribute IP address



Model NO. KB3DN

Product	Network Keyboard
ONVIF	2.4
Control way	Network
Power Supply	DC12V/2000MA
Operating Humidity	≤90% Non-Condensing
Interface	1xRJ45 , 2xRS485 (reserved) , 1xDC12V power , 1xHDMI , 1xUSB
Baud Rate	9600bps
Joystick	Vector variable speed joystick
Display screen	5" LED
Communication Distance	depend on network cable
Control Camera Quantity	No limited (single screen display)
OSD Menu	English
Operating Temperature	-20°C~+55°C
Product size	260mm*160mm*48mm

Network Keyboard IP pro KB1100-ALMS

Key Features

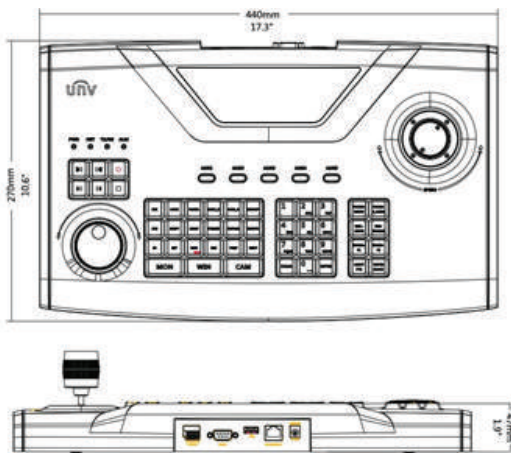
- LCD screen display
- Four-dimensional joystick control
- Based on IP network
- Support multiple user permissions
- Connectable to NVR to control NVR menu and PTZ operations
- Multiple devices can be connected1



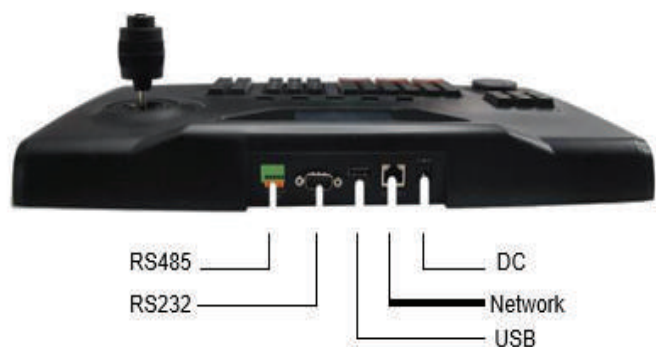
Product model KB1100-ALMS

Joystick	four-dimensional joystick
Ethernet port	1 RJ-45 10 M / 100 M adaptive Ethernet port
USB Interface	1 USB2.0 interfaces
Serial Interface	1 RS-232, 2 RS-485
Power Supply	12V DC
Consumption	5W
Working Temperature	-10°C ~ + 55°C
Working Humidity	10% ~ 90%
Dimensions	47mm×270mm×440mm(1.9"×10.6"×17.3")
Weight	<1kg

Dimensions



Interface figure



Time Attendance IID-TFP0550N-0 / IID-TFP0550N-1

Key Features

- 2.8-inch TFT color screen with GUI for ease of use USB Host
- Built in fingerprint algorithm
- Built in SSR Excel Software, openoffice.org, libreoffice
- Multi Languages
- Function Keys to select IN or OUT statuses of the punches
- Real-time 1 touch data backup



Specifications

IID-TFP0550N-0

IID-TFP0550N-1

Specifications	IID-TFP0550N-0	IID-TFP0550N-1
Display	2.8-inch TFT Screen	
Fingerprint Capacity	500	
Card Capacity	/	500(Standard)
Transaction Capacity	50,000	
Communication	USB-host	TCP/IP, USB-host
Standard Functions	Scheduled-bell, SMS, Work Code, DST	
	SSR Report, Self-Service Query	
	Automatic Status Switch, T9 Input	
	9 Digit User ID, ID Card	
Power Supply	5V DC, 800mA	12V DC, 1500mA
Operating Temperature	0 °C- 45 °C	
Operating Humidity	20%-80%	
Dimension (WxHxD)	183x138x45mm	

Configuration:



Time Attendance IID-TFR0250N-0 / IID-TFR0250N-1

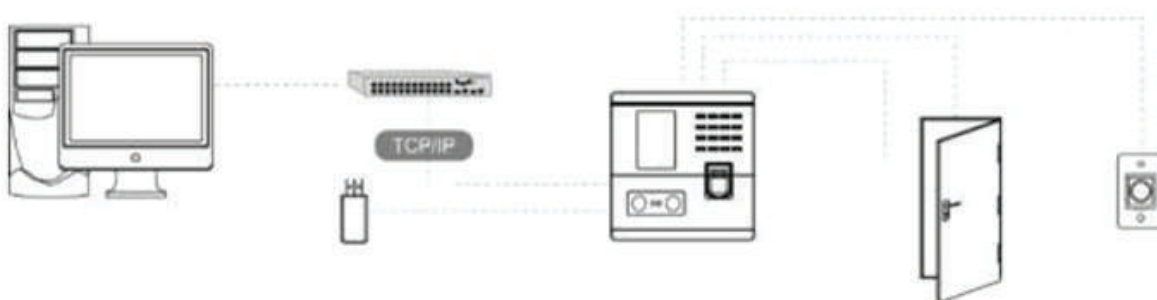
Key Features

- Fingerprint, face, and password 4 type verification mode
- High-speed identification less than 1 second
- TCP/IP Port for Internet connection
- Access Port available to control one lock and exit button
- Optional 5V 1900mAH UPS, standby up to 3 hours



Product	IID-TFR0250N-0	IID-TFR0250N-1
Biometric	Fingerprint and Face	Fingerprint and Face
RF		125kHz EM / 13.56MHz MIFARE
Max User(1:N)	1:1000	
Max Fingerprint(1:N)	1:500	1:500
Max Face (1:N)	1:200	1:200
Bade (Card)	/	1000
Max Record	50,000	
TCP/IP	10M/100M	
USB	USB 2.0(Host) 1	
Relay	Relay	
LCD	2.8" Color LCD	
Sound	Stereo speaker	
Operating Temp.	0 °C- 45 °C	
Operating Humidity	20% ~ 80%	
Power	DC 5V 0.8A	
Dimensions (W x H x D mm)	167.9 x 151.5 x 30	
Standard Function	Automatic Status Switch, Self-Service Query, DST, T9 Input 9 Digit User ID, Scheduled Bell, Photo ID Lock, sensor, Exit button	

Configuration:

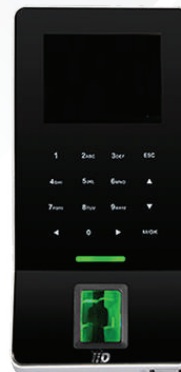


Time Attendance

IID-TFP3030N-0 / IID-TFP3030N-1

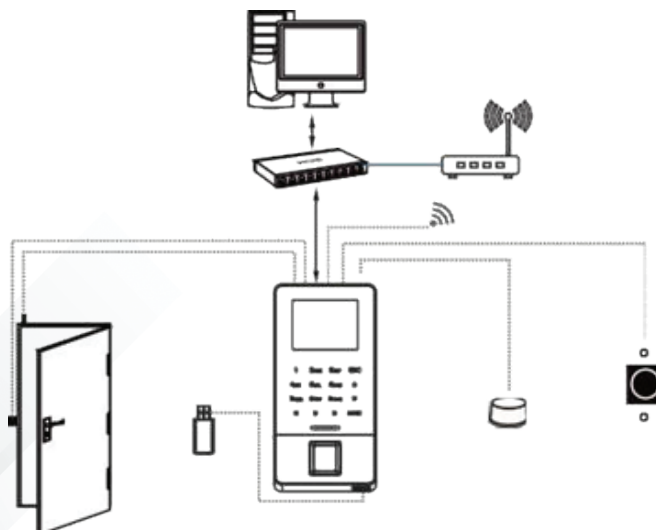
Key Features

- 2.4-inch TFT color screen and Touch keys
- Ultra-thin and elegant design
- Full Access Control Features:
- Anti-pass back, access control interface for 3rd party electric lock,
- door sensor, exit button, alarm
- Standard Wi-Fi
- Network interface by TCP/IP or RS485
- Multiple Verification Modes: Finger / RFID / Password
- providing user various choices



Specifications	IID-TFP3030N-0	IID-TFP3030N-1
Display	2.4-inch TFT LCD Color Screen	
Fingerprint Capacity	3000	
Card Capacity	/	5000 ID or mifare card
Transaction Capacity	30,000	
Sensor	Bio ID Sensor/ Silk ID Sensor (optional)	
Algorithm Version	ZK Finger VX10.0	
Communication	RS232/485, TCP/IP, USB-host, Wi-Fi	
Access Control Interface	3rd Party Electric Lock, Door Sensor, Exit Button, Alarm	
Wigand Signal	Input, Output	
Aux. Input	1ea for linkage function	
Functions	DST, Automatic Status Switch, Record query, T9 input, 14 digit user ID, Anti-pass back, Scheduled-Bell, Printer(Optional), ADMS(Optional)	
Power Supply	12V DC,3A	
Operating Temperature	0 °C- 45 °C	
Operating Humidity	20%-80%	
Dimension (LxWxH)	158.5x78.0x19.4mm	
SDK and software	Standalone SDK,ZKAccess3.5 software	

Configuration:



FULL Height Turnstile Gate

IID-FHT2004

Key Features

- The whole system runs smoothly, long life performance, high operation dependability and fast response.
- The mechanism is equipped with an automatic regulated hydraulic buffer device. No noise and impact when running.
- Self-test function, when power on, system restoration automatic.
- Dual-bearing device, keeping the gate in balance when there is external force.
- Single directional or Bi-directional is selectable.
- LED indicator.
- Sensitive impact detection for pedestrian safety.
- Number of wings: 2.
- Enclosure rating Min. IP 54.
- Automatic reset function: when Full Height Turnstile receives an open single, but passenger do not pass through the hallway within a specific time (default: 5s), turnstile arm will lock automatically. Limit passing time (01-60 seconds), passing time can be set on Full Height Turnstile circuit board.
- When power off, turnstile lane will be free to pass, complying with fire safety requirements.



Model No.	IID-FHT2004
Turnstile type	Full height turnstile
Framework Material	304 stainless steel (standard) 316 stainless steel (optional)
Finish	Stainless steel satin finish
Safety	Fail-safe (free exit/entry)
Dimension	1500*1500*2250 mm (L*W*H) Number of wings(angle)X type-4(90°) Y type-3(120°)
Passing Direction	Single / bidirectional
Power Supply	AC110–220 V, 50/60 Hz
Operation Voltage	24V DC
Power Consumption	40W
Operation Temperature	-15 – 60 C
Operation Humidity	0-95%(No Freeze)
Working Environment	Indoor /Outdoor
Flow Rate	50 person/min
Unlock mode	Solenoid(standard) Motor drive(optional)
Motor drive	(optional)
Motor type(if motor drive)	DC brush motor (standard) DC brushless motor (optional)
Servo motor	(optional)

Tripod Turnstile Gate

IIID-TS200

Key Features

- Size: 420*330*1000mm
- Housing material: SS304
- Pass Speed: 35 persons/min
- Working temperature: -35°C-55°C
- Gross weight: 35KG/PCS
- Passage width: 510mm
- Power supply: 110-220V 50/60Hz
- Motor voltage: DC24V
- Working environment: Best for indoor
- Working humidity: ≤95% coagulation free
- Open while power off: Yes
- Working movement: DC24V solenoid valve
- LED light: direction arrow
- Normal running life: 3 million



Tripod turnstile function & Features	Manual	Semi-Auto	Full-Auto
Alarm function: when arms are pushed by force illegally, alarm will be Triggered automatically and arms will be set locked	No	yes	yes
Turnstile can setting the working condition by press the button of main board	No	Yes	Yes
Auto-lift-arm function: the arm can lift automatically with alert when the is on again	No action	Manual-lift-arm	Auto-lift-arm
Auto-drop-arm function: the arm can drop down automatically (default) (or free passing) when the power is off	No action	Auto-drop-arm	Auto-drop-arm
Automatic Reset Functions: after you swap the card, during the specific time (The system is 10s), if you didn't pass the turnstile, the system will cancel your Authority automatically to pass the gate, (reset time is 1~60s you can adjust it What time is suit for you)	No	Yes	Yes
The turnstile can work with door access control system/ consumption system biometric recognition system/ ESD system and so on	No	Yes	Yes
The turnstile is bidirectional (pedestrian can enter and exit from one set of turnstile)	No	Yes	Yes
LED indicator light	No	Yes	Yes
When pedestrian pass the turnstile, what should they do?	Manual push the arm	Manual push the arm	Automatic rotation
Once an open signal is given, the arms will rotate automatically to a 60 degree, and prompt the pedestrian to pass the gate	No	Yes	Yes
Can manager the turnstile directly by managing the computer	No	Yes	Yes
LED counting function	No	Yes	Yes

Tripod Turnstile Gate

IID-TS700

Key Features

- 304/316 stainless steel
- Arm lowering when power down(Semi- and full-automatic versions)
- Arm raising after power down.(Full automatic version)
- Compatible with any access control system
- IN/OUT reader option (Reader purchased separately)
- Various operation modes(Access controlled in/out, free egress/entry, one-way access)
- Indicator lights
- Indoor/outdoor operation
- Size and shapes can be customized



Finish	304/316 stainless steel
Safety	Fail safe (free exit/entry)
Capacity	20 to 30 persons per minute
Mechanical operating mode	Manual, semi-automatic, full automatic
Direction	Single or bid-directional
Controlled operating mode	Free entry/exit, controlled entry/exit, no entry/exit or any combination
Opening/closing time	0.2 seconds
Operating time after power on	3s semi-automatic (-SA) 8s full-automatic (-FA) Adjustable Manual(-M)
MCBF (mean cycles between failures)	more than 3 million
Indicator lights	LED directional arrow, green
LED "X" no pass, red	yes
Controls	Dry contact/+12Vdc level or pulse input signal for entry and exit
Operating environment	indoor, outdoor with rain shield/canopy
Operating temperature	14°F to 122°F [-10°C to 50°C]
Storage temperature	4°F to 140°F [-20°C to 60°C]
Operating humidity	20% to 95% (non-condensing)
Storage humidity	20% to 95% (non-condensing)
Ingress protection	IP54
Operating voltage	110Vac/220Vac
Power consumption	24W
Unit size	47.25"(D)*11"(W)*38.5" (H)
Arm length	19.5" to 21.5" [50cm to 55cm]
Weight	132 lbs [60kg] for "-M" type 132 lbs [60kg] for "-SA" type 142 lbs [64.4kg] for "-FA" type

Tripod Turnstile Gate

IID-TS900

Key Features

- Size: 1400*280*1000mm
- Housing material: SS304
- Pass Speed: 35 persons/min
- Working temperature: -35°C-55°C
- Gross weight: 65KG/PCS
- Passage width: 310mm
- Power supply: 110-220V 50/60Hz
- Motor voltage: Dc24v
- Working environment: Best for indoor
- Working humidity: ≤95% coagulation free
- Open while power off: Yes
- Working movement: DC24V Motor
- LED light: direction arrow
- Normal running life: 3 million



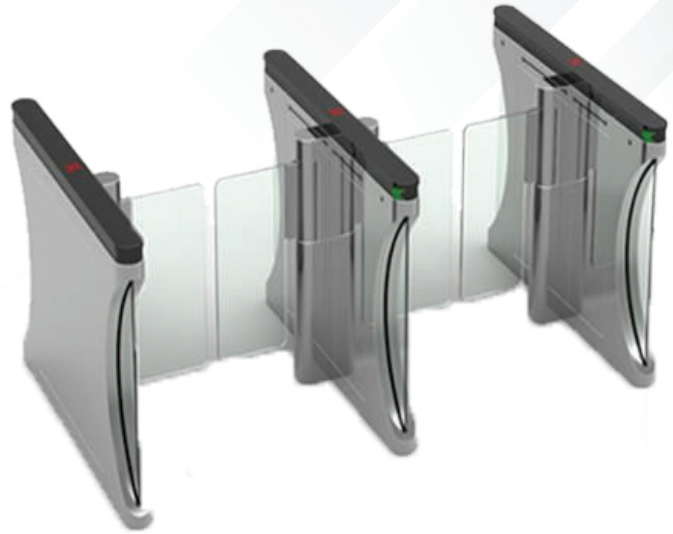
Tripod turnstile function & Features	Manual	Semi-Auto	Full-Auto
Alarm function: when arms are pushed by force illegally, alarm will be Triggered automatically and arms will be set locked	No	No	yes
Turnstile can setting the working condition by press the button of main board	No	Yes	Yes
Auto-lift-arm function: the arm can lift automatically with alert when the is on again	No action	Manual-lift-arm	Auto-lift-arm
Auto-drop-arm function: the arm can drop down automatically (default) (or free passing) when the power is off	No action	Auto-drop-arm	Auto-drop-arm
Automatic Reset Functions: after you swap the card, during the specific time (The system is 10s), if you didn't pass the turnstile, the system will cancel your Authority automatically to pass the gate, (reset time is 1~60s you can adjust it What time is suit for you)	No	Yes	Yes
The turnstile can work with door access control system/ consumption system biometric recognition system/ ESD system and so on	No	Yes	Yes
The turnstile is bidirectional (pedestrian can enter and exit from one set of turnstile)	No	Yes	Yes
LED indicator light	No	Yes	Yes
When pedestrian pass the turnstile, what should they do?	Manual push the arm	Manual push the arm	Automatic rotation
Once an open signal is given, the arms will rotate automatically to a 60 degree, and prompt the pedestrian to pass the gate	No	Yes	Yes
Can manager the turnstile directly by managing the computer	No	Yes	Yes
LED counting function	No	Yes	Yes

Swing Turnstile Gate

IID-SGT200

Key Features

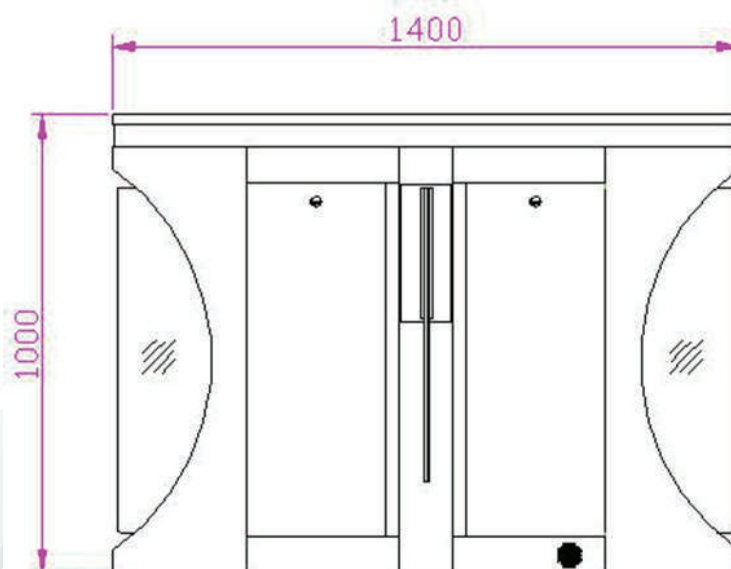
- Size: 1400*140*1000mm
- Housing material: SS304
- Pass Speed: 35 persons/min
- Working temperature: -35°C-55°C
- Gross weight: 65KG/PCS
- Passage width: 600-900mm
- Power supply: 110-220V 50/60Hz
- Motor voltage: Dc24v
- Working environment: Best for indoor
- Working humidity: ≤95% coagulation free
- Open while power off: Yes
- Working movement: DC24V Motor
- LED light: direction arrow
- Normal running life: 5 million



Standard Functions & Features

1. Alarm function: when arms are pushed by force illegally, alarm will be triggered automatically and arms will be set locked. Turnstile can check by itself when it is have problem, it is good for customer to maintain and use 2.
2. Turnstile can setting the working condition by press the button of main control board.
3. Anti-pinch function: turnstile have Mechanical/ infrared induction Anti -pinch functions (when it is meet the hinder during the reset time, the electrical machine closed work automatically in specified time, the turnstile will default the delayed and reset again till reset succeed)
4. The turnstile will closed the door when somebody enter the gate illegal, Tailgating or break into negative direction gate.
5. Before received the open signal, the turnstile will lock automatically
6. The arm have the collision avoidance function: when the turnstile arm closed, if it is under the collision, the arm will open to protect the Transmission of inner machine.
7. Automatic Reset Functions: after you swap the card, during the specific time (the system is 10s), if you didn't pass the turnstile, the system will cancel your authority automatically to pass the gate, (reset time is 1~60s you can adjust it what time is suit for you). totally meet the fire protection needs
8. Infrared reset function (Optional:4 pairs or 6 pairs Infrared)
9. The turnstile can work with door access control system/ consumption system /biometric recognition system/ ESD system and so on
10. The turnstile is bidirectional (pedestrian can enter and exit from one pair of turnstiles)

Dimensions



Swing Turnstile Gate

IID-WT200

Key Features

- Size: 1200*300*1000mm
- Housing material: SS304
- Pass Speed: 35 persons/min
- Working Temperature: -35 – 55 C
- Gross Weight: 55Kg
- Passage Width: 550 – 900mm
- Power Supply: 110-220V 50/60 HZ
- Motor Voltage: DC24V
- Working Environment: Better for indoor
- Working Humidity: <95% coagulation free
- Open while power off: Yes
- Working Movement: CD24V Motor
- LED Light: Direction arrow
- Normal Running Life: 5 Million



Standard Functions & Features

- Alarm Function: When arms are pushed by force illegally, alarm will be triggered automatically and arms will be set locked, turnstile can check by itself when it is having problem. It is good for customer to maintain and use.
- Turnstile can setting the working condition by pressing the button of main control board.
- Anti-pinch function: Turnstile have mechanical / infrared induction Anti-pinch (when it meets the hinder during the reset time, the turnstile will default the delayed and reset again till reset succeeded).
- Before receiving the open signal, the turnstile will lock automatically.
- The arm has the collision avoidance function: when the turnstile arm closed, it is under the collision, the arm will open to protect the transmission of inner machine.
- Automatic Reset Function: after swapping the card, during the specific time (the system is 10 seconds), if you didn't pass the turnstile, the system will cancel your authority automatically to pass the gate, (reset time is 1 -60seconds Time Adjustable.), totally meets the fire protection needs.
- Infrared Reset Function (Optional 4 pairs or 6 pairs Infrared)
- The turnstile is bidirectional.
- The turnstile can work with door access control system/consumption system/biometric recognition system/ESD system)
- Can manage and long-range control the turnstile directly by managing the computer.
- Flashing Light Prompt Function: It's convenient to find the turnstile problem by administrative staff.
- Barrier free mode.

Swing Turnstile Gate

IID-ST100

Key Features

- Size: 1400*300*1000mm
- Arm height: Max 1800mm
- Pass Speed: 35 persons/min
- Working temperature: -35°C-55°C
- Gross weight: 65KG/PCS
- Passage width: 550-600mm
- Power supply: 110-220V 50/60Hz
- Motor voltage: Dc24v
- Working environment: Best for indoor
- Working humidity: <95% coagulation free
- Open while power off: Yes
- Working movement: DC24V solenoid valve
- LED light: direction arrow
- Normal running life: 5 million



Standard Functions & Features

- Alarm function: when arms are pushed by force illegally, alarm will be triggered automatically and arms will be set locked.
- Turnstile can check by itself when it is have problem, it is good for customer to maintain and use
- Turnstile can setting the working condition by press the button of main control board.
- Anti-pinch function: turnstile have Mechanical/ infrared induction Anti-pinch functions
(when it is meet the hinder during the reset time, the electrical machine closed work automatically in specified time, the turnstile will default the delayed and reset again till reset succeed)
The turnstile will closed the door when somebody enter the gate illegal, Tailgating or break into negative direction gate.
- Before received the open signal, the turnstile will lock automatically
- The arm have the collision avoidance function: when the turnstile arm closed, if it is under the collision, the arm will open to protect the Transmission of inner machine.
- Automatic Reset Functions: after you swap the card, during the specific time (the system is 10s), if you didn't pass the turnstile, the system will cancel your authority automatically to pass the gate, (reset time is 1~60s you can adjust it what time is suit for you). Totally meet the fire protection needs
- Infrared reset function (Optional: 4 pairs or 6 pairs Infrared)
- The turnstile can work with door access control system/ consumption system /biometric recognition system/ ESD system and so on
- The turnstile is bidirectional (pedestrian can enter and exit from one pair of turnstiles)
Can manager and long-range control the turnstile directly by managing the computer.
Flashing light prompt function: it is convenient to find the turnstile problem by administrative staff

High Sensitivity Digital Walkthrough Metal IIDMDG-2000V2



Key Features

- Detecting Area : 6 detecting area, with high-brightness LED alarm, Precise positioning the location of hiding contraband.
- Sensitivity Level : 255 level adjustable for each detecting area.
- Protection : Outdoor IP65
- Alarm Setting : Audible and visual alarm at the same time with 1 to 25 s alarm time and 255 level volume that can be Adjusted continuously.
- Display Screen : High brightness LED display screen shows the passing and alarming number of people.
- Operational Authorization : Password protection to prevent data from being illegally modified or wrongly operated leading to abnormal work.
- Counting Function : Intelligent counting function of passenger flow and alarming.
- Diagnostic Function : Power-on self-test.
- Easy Installation : Integration design and can be assembled and dismantled in 20 minutes.
- Safety : No harm to pacemaker wearers, Pregnant woman and magnetic media.

Installation Data

- Size/Weight : 2230mm (L)*830mm (W)*580mm (H)/ about 65KG
- Tunnel Size : 2000mm (L)*700mm (W)*500mm (H)
- Power Supply : AC85-264V/50-60HZ
- Power Consumption : 12W
- Working Temperature : 20°C~+60°C

High Sensitivity Digital Walkthrough Metal IIDMDG-3000V2

Technology Features

- High detection sensitivity for the magnetic metal, non-magnetic metal and alloy.
- Self-diagnostic program, power-on self-test, modular structure, multi-language selection, the system automatically wake up.
- Highly integrated DSP digital processing technology, no need tools to adjust, performance is more stable, more convenient after-sales service
- 24 detecting area, each area can set sensitivity alone. Has 300 effective
- High-brightness color LCD; display function of power-on diagnose. 30 preset detection program.
- 100 optional frequency
- Real-time monitor of background environment interference

Technology Data

- Detection Sensitivity: 24 detecting area, with high-brightness LED alarm, Precise positioning the location of hiding contraband.
- Sensitivity Level: 300 level adjustable for each detecting area
- Protection: Outdoor IP65
- Frequency Setup: 100 optional working frequency
- Audible Alarm: 20 volume levels adjustable, 16 tones levels adjustable
- Display Screen: Color LCD display, Chinese/ English language select menu, Real-time display interference signal
- Preset Working Model: 30 security check working models, all parameters of detecting procedures can be set or modified at any time.
- Operation Authorization: Password protection allows only authorized personnel operate
- Throughput: 100 people/min
- Counting Function: Equipped with intelligent traffic and alarm counter, Real-time automatically displays the number of alarm and people, maximum 100,000 records.
- Energy-saving Function: The system will automatically enter power-saving mode when it is no detecting in 5 mins, and will wake up when there is object.
- Anti-interference: Highly integrated DSP digital processing technology automatically detects environmental interference; Resistance to electromagnetic and mechanical interference; non-periodically calibration; no alarm errors caused by vibration and shaking. Anti-interference Capability...50cm for devices adjacent side by side
- Diagnostic function: Power-on self-test, fault Display, All control information and settings can be operated on control panel and menu
- Procedure: Computer programming controller, Chinese and English optional language, modular structure
- Safety: No harm to pacemaker wearers, pregnant woman and magnetic media.

Installation Data

- Size/Weight: 2200mm (L)*800mm (W)*550mm (H)/65KG
- Tunnel Size: 2000mm (L)*700mm (W)*500mm (H)
- Power Supply: External power adapter, AC85-264V/47.5-60HZ
- Power Consumption: <15W
- Working Temperature: -20°C~+50°C



High Sensitivity Digital Walkthrough Metal IIDMDG-3000V3



Technology Data

- Detection Sensitivity: 33 detecting area, with high-brightness LED alarm, Precise positioning the location of hiding contraband.
- Sensitivity Level: 300 level adjustable for each detecting area
- Frequency Setup: 100 optional working frequency
- Audible Alarm: 20 volume levels adjustable, 16 tones levels adjustable
- Display Screen: Color LCD display, Chinese/ English language select menu, Real-time display interference signal
- Preset Working Model: 30 security check working models, all parameters of detecting procedures can be set or modified at any time.
- Operation Authorization: Password protection allows only authorized personnel operate
- Throughput: 100 people/min
- Counting Function: Equipped with intelligent traffic and alarm counter, Real-time automatically displays the number of alarm and people, maximum 100000 records.
- Energy-saving Function: The system will automatically enter power-saving mode when it is no detecting in 5 mins, and will wake up when there is object.
- Anti-interference: Highly integrated DSP digital processing technology automatically detects environmental interference; Resistance to Electromagnetic and mechanical interference; non-periodically calibration; no alarm errors caused by vibration and shaking. Anti-interference Capability...50cm for devices adjacent side by side
- Diagnostic function: Power-on self-test, fault Display, All control information and settings can be operated on control panel and menu
- Procedure: Computer programming controller, Chinese and English optional language, modular structure
- Safety: No harm to pacemaker wearers, pregnant woman and magnetic media.
- Backup power supply: 4/8/10 hours battery power supply
- IP Grade: P65

Installation Data

- Size/Weight :2230mm (L)*820mm (W)*550mm (H)/65KG
- Tunnel Size :2000mm (L)*710mm (W)*500mm (H)
- Power Supply: External power adapter, AC100-240V/50-60Hz
- Power Consumption: <15W
- Working Temperature: -20c~+50c

High Sensitivity Digital Walkthrough Metal IIDMDG-3000V4

Technology Features

- There are 100 working frequency choose, and strong anti-interference
- Very stable performance with digital pulse technology.
- Modular design for easy installation and disassembly.
- Automatic sleep.
- Automatically power on , self-test, environment adaptive.
- 7-inch color screen, display mode optional.
- 45 Independent Zone.
- 30 application modes to choose from.
- Sensitivity level: free to detect a dime, no blind zone.



Technology Data

- Detection Area: 1/8/15/16/24/30/45 area can be set.
- Overall detection sensitivity: 300-level adjustment, the higher the number, the higher the sensitivity.
- Partition sensitivity adjustment: 300 levels adjustable in each zone. The higher the number, the higher the sensitivity.
- Vibration protection: adjustable sensitivity (0 — 255), can prevents false alarms caused by vibration interference.
- System detection function: It can manually detect the left and right zones and sound, LED working status.
- Passing speed: can be adjusted from the fastest 100 people / minute.
- Counting function: intelligent passenger flow and alarm counting function, can record 20,000 pieces alarm record and automatically save, can query the alarm record in time period in real time.
- Chinese and English display: can select the appropriate language according to your needs, can customize the language.
- 7.0-inch LCD color display: can be divided into indoor and outdoor display mode;
LCD backlight brightness can be adjusted from 0%-100%. Manage encryption: prevent data from being illegally modified or mishandled, resulting in abnormal product operation
- Backup power supply: 4/8/10 hours battery power supply (optional)
- Networking function: can be connected to the computer to realize remote parameter setting/query function (optional)
- Low power consumption: <15W ultra low power consumption
- IP Grade : IP65

Installation Data

- Size/Weight: 2240mm (L)*855mm (W)*600mm (H)/About 55KG
- Tunnel Size: 1980mm (L)*765mm (W)*600mm (H)
- Power Supply: External power adapter, AC100-240V/50-60Hz
- Power Consumption: <15W
- Working Temperature: -28°C~+47°C

Handheld Metal Detector

IIDHMD-201

Technology Features

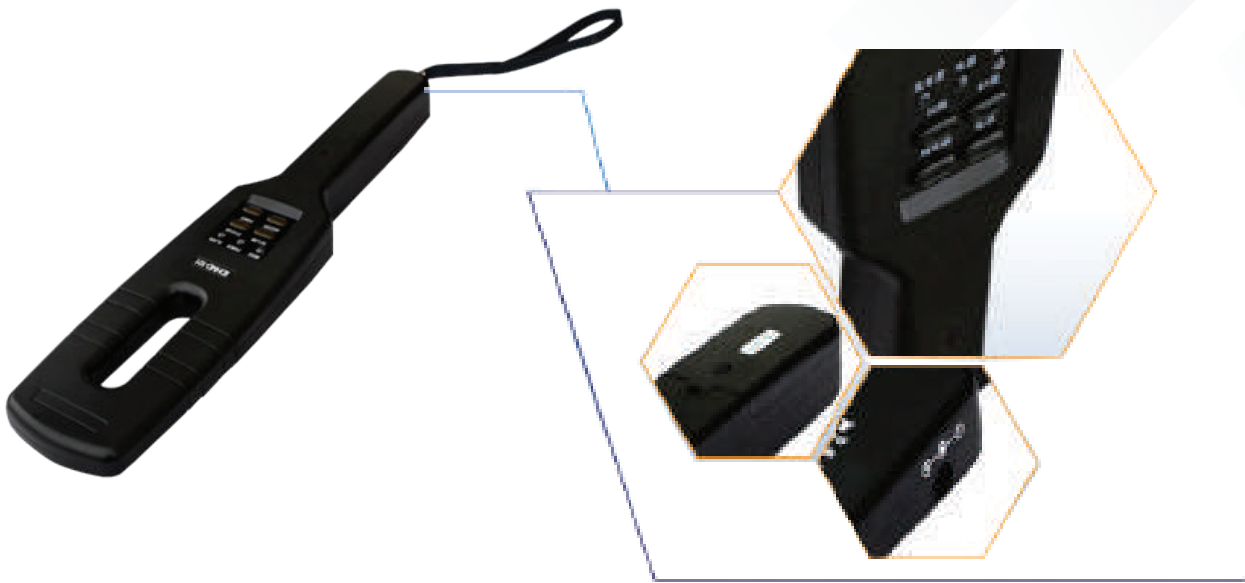
- Handy structure, beautiful appearance, high sensitivity, with knapsack bag, easy carry. It is be used for gold, silver shop, or jewelry factory, public security personnel, and school exam check where need high sensitivity, or need silence check.



Product Parameter

- Alarm Indication: Audio alert and LED indicator and Vibration can work together, with headphone output (headphone is optional accessory)
- Sensitivity: $\geq 6\text{cm}$ (for a RMB one YUAN Coin)
- Power Supply: 9V fold battery (6F22ND), can connect with recharger (recharger is optional accessory)
- Quiescent Current: $< 5.1\text{mA}$ Operation Current: Audio and LED $< 20\text{mA}$, Vibration $< 70\text{mA}$
- Body Size: 420*80*40mm
- Net Weight: 330g
- Gross Weight: 406g
- Packing: White Box
- Packing Size: 425*100*55mm
- MOQ Package: 510*280*460mm (25pcs/carton, 11.5kg/carton)

High Sensitivity Handheld Metal Detector IIDHMD-101



Technology Features

- High speed detection response
- Auto fault diagnosis without adjustable
- Sound, buzz and light alarm models
- High, middle and low sensitivity adjustable. Super sensitive like a tiny metal piece paper clip can be detected
- The shell use engineering plastics, powerful ability of waterproof, fireproof, anticorrosive and shockproof
- 24H working normally under open-air, scorching sun, raining

Technology Data

- Detection Sensitivity: A paper clip can be detected
- Sensitivity Level: High, middle and low Sensitivity adjustable.
- Alarm: Sound, buzz and light, sound able to turn off

Install Data

- Size/Weight: 409 mm (L) x 93mm (W) x 36mm (H) / 350g
- Working Temperature /Humidity: -20°C~+45°C / 0%~95% (non-condensing)
- Storage Temperature/Humidity: -40°C~+ 60°C / 20%~95% (non-condensing)
- Power Supply: 9 V (Alkaline batteries or rechargeable)

X-Ray Security Inspection Equipment IIDXM-5030A



Technology Features

- Shiny clear images
- Sophisticated design with multi-functions operator interface
- High- resolution
- Can increase the conveyor speed to 0.3m/s(Customized)
- Collection the high-speed parallel of detection data
- With network interface to achieve total network management
- Support JPG & BMP image transformation format to USB

General Specification

- Tunnel size: 505 mm (W) x 304 mm (H)
- Conveyor Speed: 0.2 m/s
- Conveyor Height: 730 mm
- Max. Load: 100 kg (Evenly distributed)
- Resolution: Typical: AWG 40 Standard: AWG 38
- Penetration(Steel): ≥ 6 mm
- Spatial Resolution: Horizontal: $\Phi 1.0$ mm Vertical: $\Phi 1.0$ mm
- Image Resolution: 19" LED (Single Display)

X-Ray Generator

- Anode Voltage: 80 KV (adjustable)
- Beam Direction: From bottom
- Cooling & Running Cycle: Sealed oil cooling & 100%
- X-Ray Sensor: Single-energy L photoelectric diode array detector

IPC Configuration

- Standard Function: Win7; RAM: 2GB; Hard Disk: 500G.
- Optional Function: RAM: 4G,8G,16G; Hard Disk: 1T,2T; Video Card: 2G, 4G,8G;

Image Processing System

- Display: Pseudo-color and Black & White
- Processing Function: F1/F2/F3 self-definition combination, edge enhancement, negative, partial enhancement, gray scale scan.
- Saves Capacity & Pull back: 100,000 images / infinite review (the previous pictures),
- Resolution: 1440 x 900
- Processing & Gray Scale: 24Bit real-time processing/8192
- Enlargement: Up to 64X dynamic continuous zoom & panning

Installation Data

- Size: 1449 mm (L) x 798 mm (W) x 1213 mm (H)
- Weight: 375 KG
- Working Temperature / Humidity: 0°C~+ 45°C/ 10%~95% (non-condensing)
- Storage Temperature / Humidity: - 40°C~+ 60°C/ 10%~95%(non-condensing)
- Power Supply: AC 220 V(+10%~-15%) 50±3 (Hz)
- Power consumption: About 0.37 (KVA)

X-Ray Security

- Leakage: $< 1\mu\text{Gy/h}$ (5cm distance from outer), According to the national and international Safety standard
- Film Safety: According to the ISO1600 (33DIN) High speed standard

Multi-Energy X-Ray Security Inspection Equipment IIDXM -100120S



Technology Features

- Shiny clear images
- Sophisticated design with multi-functions operator interface
- High- resolution
- Can increase the conveyor speed to 0.3m/s(Customized)
- Collection the high-speed parallel of detection data
- With network interface to achieve total network management
- Support JPG & BMP image transformation format to USB

General Specification

- Tunnel size: 1020 mm (W) x 1313 mm (H)
- Conveyor Speed: 0.2 m/s
- Conveyor Height: 300 mm
- Max. Load: 200 kg (Evenly distributed)
- Resolution: Typical: AWG 40 Standard: AWG 36
- Penetration(Steel): Typical: 32 mm . Standard: 30 mm
- Spatial Resolution: Horizontal: Φ 1.3 mm Vertical: Φ 1.6 mm
- Image Resolution: 22" LED (Single Display)

X-Ray Generator

- Anode Voltage: 160 KV (adjustable)
- Beam Direction: From bottom
- Cooling & Running Cycle: Sealed oil cooling & 100%
- X-Ray Sensor: Multe-energy L hotoelectric diode array detector

IPC Configuration

- Standard Function: Win7; RAM: 2GB; Hard Disk: 500G.
- Optional Function: RAM: 4G,8G,16G; Hard Disk: 1T,2T; Video Card: 2G, 4G,8G;

Image Processing System

- Display: Black / White, Color
- Processing Function: F1/F2/F3 self-definition combination, edge enhancement, negative, partial enhancement, gray scale scan.
- Saves Capacity & Pull back: 100,000 images / infinite review (the previous pictures)
- Resolution: 1440 x 900
- Processing & Gray Scale: 24Bit real-time processing/8192
- Enlargement: Up to 64X dynamic continuous zoom & panning

Installation Data

- Size: 4226 mm (L) x 1875 mm (W) x 1910 mm (H)
- Weight: 1300 KG
- Working Temperature / Humidity: 0°C~+ 45°C/ 10%~95% (non-condensing)
- Storage Temperature / Humidity: - 40°C~+ 60°C/ 10%~95%(non-condensing)
- Power Supply: AC 220 V(+10%~-15%) 50±3 (Hz)
- Power consumption: About 0.50 (KVA)

X-Ray Security

- Leakage: < 1 μ Gy/h (5cm distance from outer), According to the national and international Safety standard
- Film Safety: According to the ISO1600 (33DIN) High speed standard

Multi-Energy X-Ray Security Inspection Equipment IIDXM-V150150



Technology Features

- Shiny clear images
- Sophisticated design with multi-functions operator interface
- High- resolution
- Can increase the conveyor speed to 0.3m/s(Customized)
- Collection the high-speed parallel of detection data
- With network interface to achieve total network management
- Support JPG & BMP image transformation format to USB

General Specification

- Tunnel size: 1500 mm (W) x 1505 mm (H)
- Conveyor Speed: 0.2 m/s
- Conveyor Height: 352 mm
- Max. Load: 2000 kg (Evenly distributed)
- Resolution: Typical: AWG 36 Standard: AWG 34
- Penetration(Steel): Typical: 43 mm . Standard: 40 mm
- Spatial Resolution: Horizontal: Φ 1.3 mm Vertical: Φ 1.3 mm
- I- mage Resolution: 22"LED (Single Display)

X-Ray Generator

- Anode Voltage: 200 KV (adjustable)
- Beam Direction: From bottom
- Cooling & Running Cycle: Sealed oil cooling & 100%
- X-Ray Sensor: Multe-energy L hotoelectric diode array detector

IPC Configuration

- Standard Function: Win7; RAM: 2GB; Hard Disk: 500G.
- Optional Function: RAM: 4G,8G,16G; Hard Disk: 1T,2T; Video Card: 2G, 4G,8G;

Image Processing System

- Display: Black / White, Color
- Processing Function: F1/F2/F3 self-definition combination, edge enhancement, negative, partial enhancement, gray scale scan.
- Saves Capacity & Pull back: 100,000 images / infinite review (the previous pictures)
- Resolution: 1680 * 1050
- Processing & Gray Scale: 24Bit real-time processing/65536
- Enlargement: Up to 64X dynamic continuous zoom & panning

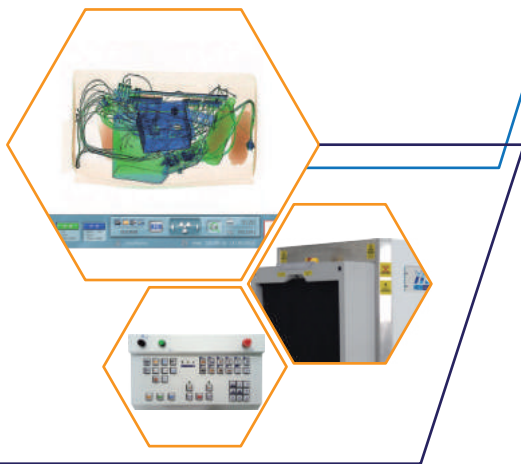
Installation Data

- Size: 4350 mm (L) x 2890 mm (W) x 2070 mm (H)
- Weight: 3000 KG
- Working Temperature / Humidity: 0°C~+ 45°C/ 10%~95% (non-condensing)
- Storage Temperature / Humidity: - 40°C~+ 60°C/ 10%~95%(non-condensing)
- Power Supply: AC 220 V(+10%~-15%) 50 \pm 3 (Hz)
- Power consumption: About 2.30 (KVA)

X-Ray Security

- Leakage: < 1 μ Gy/h (5cm distance from outer), According to the national and international Safety standard
- Film Safety: According to the ISO1600 (33DIN) High speed standard

Multi-Energy X-Ray Security Inspection Equipment IIDXM-V6040



Technology Features

- Shiny clear images
- Sophisticated design with multi-functions operator interface
- High- resolution
- Can increase the conveyor speed to 0.3m/s(Customized)
- Collection the high-speed parallel of detection data
- Including integrated advance threat detection technology
- With network interface to achieve total network management
- Support JPG & BMP image transformation format to USB

General Specification

- Tunnel size: 624 mm (W) x 425 mm (H)
- Conveyor Speed: 0.2 m/s
- Conveyor Height: 678 mm
- Max. Load: 160 kg (Evenly distributed)
- Resolution: Typical: AWG 40 . Standard: AWG 38
- Penetration(Steel): Typical: 34 mm . Standard: 30 mm
- Spatial Resolution: Horizontal: $\Phi 1.0$ mm Vertical: $\Phi 1.0$ mm
- Image Resolution: 19" LED (Single Display)

X-Ray Generator

- Anode Voltage: 160 KV (adjustable)
- Beam Direction: From bottom
- Cooling & Running Cycle: Sealed oil cooling & 100%
- X-Ray Sensor: Multe-energy L hotoelectric diode array detector

IPC Configuration

- Standard Function: Win7; RAM: 2GB; Hard Disk: 500G.
- Optional Function: RAM: 4G,8G,16G; Hard Disk: 1T,2T; Video Card: 2G, 4G,8G;

Image Processing System

- Display: Black / White, Color
- Processing Function: F1/F2/F3 self-definition combination, edge enhancement, negative, partial enhancement, gray scale scan.
- Saves Capacity & Pull back: 100,000 images / infinite review (the previous pictures)
- Resolution: 1440 x 900
- Processing & Gray Scale: 24Bit real-time processing/65536
- Enlargement: Up to 64X dynamic continuous zoom & panning

Installation Data

- Size: 2064 mm (L) x 828 mm (W) x 1290 mm (H)
- Weight: 600 KG
- Working Temperature / Humidity: 0°C~+ 45°C/ 10%~95% (non-condensing)
- Storage Temperature / Humidity: - 40°C~+ 60°C/ 10%~95%(non-condensing)
- Power Supply: AC 220 V(+10%~-15%) 50±3 (Hz)
- Power consumption: About 0.42 (KVA)

X-Ray Security

- Leakage: < 1 μ Gy/h (5cm distance from outer),
- According to the national and international Safety standard Film Safety: According to the ISO1600 (33DIN) High speed standard

Multi-Energy X-Ray Security Inspection Equipment IIDXM-8065



Technology Features

- Shiny clear images
- Sophisticated design with multi-functions operator interface
- High- resolution
- Can increase the conveyor speed to 0.3m/s(Customized)
- Collection the high-speed parallel of detection data
- Including integrated advance threat detection technology
- With network interface to achieve total network management
- Support JPG & BMP image transformation format to USB

General Specification

- Tunnel size: 810 mm (W) x 660 mm (H)
- Conveyor Speed: 0.2 m/s
- Conveyor Height: 300 mm
- Max. Load: 160 kg (Evenly distributed)
- Resolution: Typical: AWG 40 . Standard: AWG 36
- Penetration(Steel): Typical: 32 mm . Standard: 30 mm
- Spatial Resolution: Horizontal: Φ 1.0 mm Vertical: Φ 1.3 mm
- Image Resolution: 19" LED (Single Display)

X-Ray Generator

- Anode Voltage: 160 KV (adjustable)
- Beam Direction: From bottom
- Cooling & Running Cycle: Sealed oil cooling & 100%
- X-Ray Sensor: Multi-energy L hotoelectric diode array detector

IPC Configuration

- Standard Function: Win7; RAM: 2GB; Hard Disk: 500G.
- Optional Function: RAM: 4G,8G,16G; Hard Disk: 1T,2T; Video Card: 2G, 4G,8G;

Image Processing System

- Display: Black / White, Color
- Processing Function: F1/F2/F3 self-definition combination, edge enhancement, negative, partial enhancement, gray scale scan.
- Saves Capacity & Pull back: 100,000 images / infinite review (the previous pictures)
- Resolution: 1440 x 900
- Processing & Gray Scale: 24Bit real-time processing/65536
- Enlargement: Up to 64X dynamic continuous zoom & panning

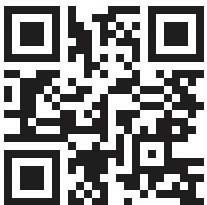
Installation Data

- Size: 2875 mm (L) x 1100 mm (W) x 1455 mm (H)
- Weight: 800 KG
- Working Temperature / Humidity: 0°C~+ 45°C/ 10%~95% (non-condensing)
- Storage Temperature / Humidity: - 40°C~+ 60°C/ 10%~95%(non-condensing)
- Power Supply: AC 220 V(+10%~-15%) 50±3 (Hz)
- Power consumption: About 0.45 (KVA)

X-Ray Security

- Leakage: < 1 μ Gy/h (5cm distance from outer),
- According to the national and international Safety standard Film Safety: According to the ISO1600 (33DIN) High speed standard

2022



www.iid2secure.nl
Extra Benefits, Less Price
Finestrat,19, 03530 La Nucia, Alicante, Spain
© IID Secure Tech S.L.U. 2019

Heemdedestraat 16 Amsterdam, Netherlands
Support@iid2secure.nl
+31614762425
Data Subject to change without notice