



4MPWDRVandal-resistantNetworkIRFixedDome Camera

IID-DD4I30F28MAMTSVW

Key Features

Optics

- Day/night functionality
- Smart IR, up to 30m (98ft) IR distance
- Up to 120 dB WDR (Wide Dynamic Range)
- 2D/3D DNR (Digital Noise Reduction)

Compression

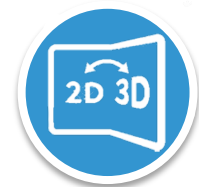
- Ultra 265, H.264, MJPEG
- ROI (Region of Interest)
- Customized OSD

Network

- ONVIF Conformance

Structure

- Wide temperature range: -35°C ~ 60°C (-31°F ~ 140°F)
- Wide input voltage range of $\pm 25\%$
- IK10 vandal resistant
- IP67
- 3-Axis



www.iid2secure.nl
Extra Benefits, Less Price
Finestrat,19, 03530 La Nucia, Alicante, Spain
© IID Secure Tech S.L.U. 2019

Heemdtedestraat 16 Amsterdam, Netherlands
Support@iid2secure.nl
+31614762425
Data Subject to change without notice



Specifications

| IID-DD4I30F28MAMTSVW | | | | | |
|-------------------------|--|------------|----------------|---------------|-------------------|
| Camera | | | | | |
| Sensor | 1/3", 4.0 megapixel, progressive scan, CMOS | | | | |
| Lens | 2.8mm@F2.0 | | | | |
| DORI Distance | Lens (mm) | Detect (m) | Observe (m) | Recognize (m) | Identify (m) |
| | 2.8 | 63 | 25.2 | 12.6 | 6.3 |
| | 3.6 | 81 | 32.4 | 16.2 | 8.1 |
| Angle of View (H) | 104.4° | | | | |
| Angle of View (V) | 67° | | | | |
| Angle of View (O) | 135.7° | | | | |
| Adjustment angle | Pan: 0° ~ 360° | | Tilt: 0° ~ 75° | | Rotate: 0° ~ 360° |
| Shutter | Auto/Manual, 1 ~ 1/100000s | | | | |
| Minimum Illumination | Colour: 0.03Lux (F2.0, AGC ON) 0Lux with IR | | | | |
| Day/Night | IR-cut filter with auto switch (ICR) | | | | |
| Digital noise reduction | 2D/3D DNR | | | | |
| S/N | >55dB | | | | |
| IR Range | Up to 30m (98ft) IR range | | | | |
| Defog | Digital Defog | | | | |
| WDR | 120dB | | | | |
| Video | | | | | |
| Video Compression | Ultra 265, H.264, MJPEG | | | | |
| H.264 code profile | Baseline profile, Main Profile, High Profile | | | | |
| Frame Rate | Main Stream: 4MP (2592*1520), Max 20fps; 4MP (2560*1440), Max 25fps; 3MP (2048*1520), Max 30fps; Sub Stream: 2MP (1920*1080), Max 30fps; Third Stream: D1 (720*576), Max 30fps | | | | |
| HLC | Supported | | | | |
| BLC | Supported | | | | |
| 9:16 Corridor Mode | Supported | | | | |
| OSD | Up to 8 OSDs | | | | |
| Privacy Mask | Up to 8 areas | | | | |
| ROI | Up to 8 areas | | | | |
| Motion Detection | Up to 4 areas | | | | |
| Audio | | | | | |
| Audio Compression | G.711 | | | | |
| Two-way audio | Supported | | | | |
| Suppression | Supported | | | | |
| Sampling Rate | 8KHZ | | | | |



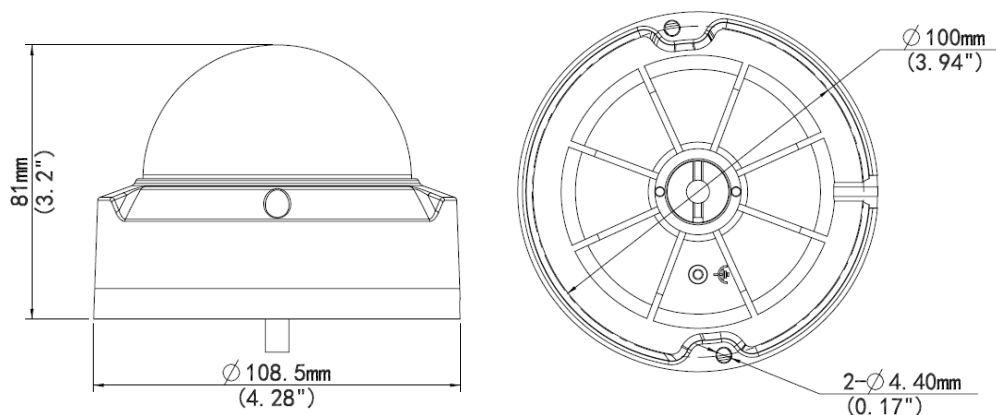
www.iid2secure.nl
 Extra Benefits, Less Price
 Finestrat, 19, 03530 La Nucia, Alicante, Spain
 © IID Secure Tech S.L.U. 2019

Heemdtedestraat 16 Amsterdam, Netherlands
 Support@iid2secure.nl
 +31614762425
 Data Subject to change without notice



| Storage | |
|------------------------|--|
| Edge Storage | Micro SD, up to 256GB |
| Network Storage | ANR |
| Network | |
| Protocols | IPv4, IGMP, ICMP, ARP, TCP, UDP, DHCP, PPPoE, RTP, RTSP, RTCP, DNS, DDNS, NTP, FTP, UPnP, HTTP, HTTPS, SMTP, 802.1x, SNMP, QoS |
| Compatible Integration | ONVIF (Profile S, Profile G, Profile T), API |
| Interface | |
| Audio I/O | Input: impedance 35kΩ; amplitude 2V [p-p] |
| | Output: impedance 600Ω; amplitude 2V [p-p] |
| Alarm I/O | 1/1 |
| Network | 1 RJ45 10M/100M Base-TX Ethernet |
| General | |
| Power | DC 12V±25%, PoE (IEEE 802.3af) |
| | Power consumption: Max 5W |
| Dimensions (Ø x H) | Φ108.5 x 81mm (Ø4.28" x 3.2") |
| Weight | 0.45kg (0.99lb) |
| Working Environment | -35°C ~ 60°C (-31°F ~ 140°F), Humidity: ≤95% RH (non-condensing) |
| Ingress Protection | IP67 |
| Vandal Resistant | IK10 |

Dimensions



www.iid2secure.nl
 Extra Benefits, Less Price
 Finestrat,19, 03530 La Nucia, Alicante, Spain
 © IID Secure Tech S.L.U. 2019

Heemtedestraat 16 Amsterdam, Netherlands
Support@iid2secure.nl
 +31614762425
 Data Subject to change without notice