



4MP VF Network IR Bullet Camera

Model: IID-DB4I30Z1MAMTSW

Key Features

Optics

- Day/night functionality
- Smart IR, up to 30m (98ft) IR distance
- Up to 120 dB Optical WDR (Wide Dynamic Range)
- 2D/3D DNR (Digital Noise Reduction)

Compression

- Ultra 265, H.265, H.264, MJPEG
- Triple streams
- ROI (Region of Interest)
- 9:16 corridor mode
- Customized OSD

Network

- ONVIF Conformance

Structure

- Wide temperature range: -35°C ~ 60°C (-31°F ~ 140°F)
- Wide voltage range of $\pm 25\%$
- IP67
- 3-Axis



www.iid2secure.nl
Extra Benefits, Less Price
Finestrat,19, 03530 La Nucia, Alicante, Spain
© IID Secure Tech S.L.U. 2019

Heemdtedestraat 16 Amsterdam, Netherlands
Support@iid2secure.nl
+31614762425
Data Subject to change without notice



Specifications

Camera					
Sensor	1/3", 4.0 megapixel, progressive scan, CMOS				
Lens	2.8 ~ 12mm, AF automatic focusing and motorized zoom lens				
DORI Distance	Lens (mm)	Detect (m)	Observe (m)	Recognize (m)	Identify (m)
	2.8	63	25.2	12.6	6.3
	12	270	108	54	27
Angle of View (H)	91° ~ 27°				
Angle of View (V)	54.4° ~ 13.7°				
Angle of View (O)	118.3° ~ 33.2°				
Adjustment angle	Pan: 0° ~ 360°		Tilt: 0° ~ 90°		Rotate: 0° ~ 360°
Shutter	Auto/Manual, 1 ~ 1/100000s				
Minimum Illumination	Colour: 0.005Lux (F1.4, AGC ON) 0Lux with IR on				
Day/Night	IR-cut filter with auto switch (ICR)				
Digital noise reduction	2D/3D DNR				
S/N	>52 dB				
IR Range	Up to 30m (98ft) IR range				
Defog	Digital Defog				
WDR	120dB				
Video					
Video Compression	Ultra 265, H.265, H.264, MJPEG				
H.264 code profile	Baseline profile, Main Profile, High Profile				
Frame Rate	Main Stream: 4MP (2592*1520), Max 20fps; 4MP (2560*1440), Max 25fps; 3MP (2048*1520), Max 30fps; Sub Stream: 2MP (1920*1080), Max 30fps; Third Stream: D1 (720*576), Max 30fps				
9:16 Corridor Mode	Supported				
HLC	Supported				
BLC	Supported				
OSD	Up to 8 OSDs				
Privacy Mask	Up to 8 areas				
ROI	Up to 8 areas				
Motion Detection	Up to 4 areas				
Audio					
Audio Compression	G.711				
Two-way audio	Supported				

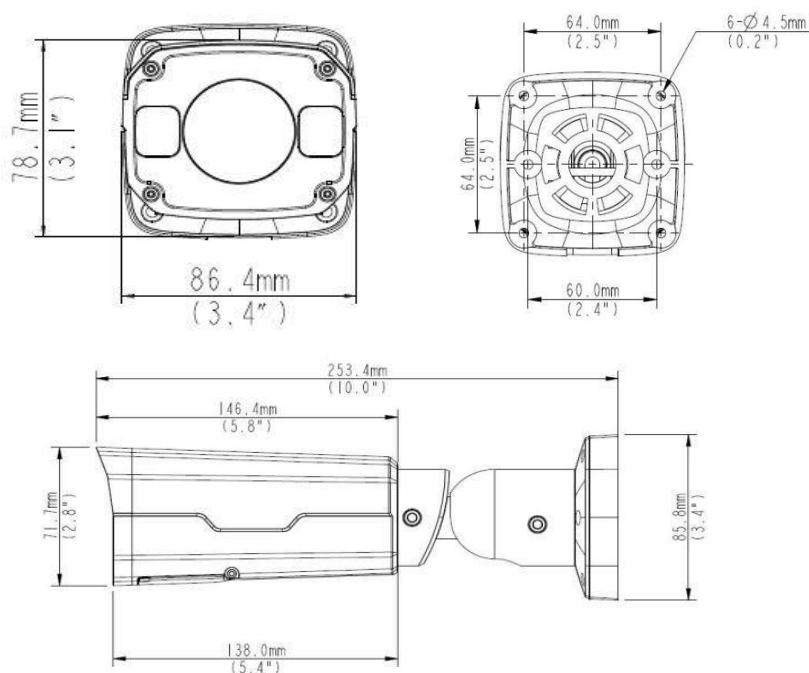


www.iid2secure.nl
 Extra Benefits, Less Price
 Finestrat,19, 03530 La Nucia, Alicante, Spain
 © IID Secure Tech S.L.U. 2019

Heemdtedestraat 16 Amsterdam, Netherlands
 Support@iid2secure.nl
 +31614762425
 Data Subject to change without notice

Suppression	Supported
Sampling Rate	8KHZ
Storage	
Edge Storage	Micro SD, up to 256GB
Network Storage	ANR
Network	
Protocols	IPv4, IGMP, ICMP, ARP, TCP, UDP, DHCP, PPPoE, RTP, RTSP, RTCP, DNS, DDNS, NTP, FTP, UPnP, HTTP, HTTPS, SMTP, 802.1x, SNMP, QoS
Compatible Integration	ONVIF (Profile S, Profile G, Profile T), API
Interface	
Audio I/O	Audio cable
	Input: impedance 35kΩ; amplitude 2V [p-p]
	Output: impedance 600Ω; amplitude 2V [p-p]
Alarm I/O	1/1
Network	1 RJ45 10M/100M Base-TX Ethernet
General	
Power	DC 12V±25%, PoE (IEEE 802.3af)
	Power consumption: Max 9W
Dimensions (L x W x H)	253.4 x 86 x 71.7mm (9.98" x 3.4" x 2.8")
Weight	1.0kg (2.2lb)
Working Environment	-35°C ~ 60°C (-31°F ~ 140°F), Humidity: ≤95% RH (non-condensing)
Ingress Protection	IP67

Dimensions



www.iid2secure.nl
 Extra Benefits, Less Price
 Finestrat,19, 03530 La Nucia, Alicante, Spain
 © IID Secure Tech S.L.U. 2019

Heemdtedestraat 16 Amsterdam, Netherlands
 Support@iid2secure.nl
 +31614762425
 Data Subject to change without notice