



# 5MP WDR Starlight (Motorized) VF Network IR Bullet Camera Model: DB5Z2-AMLS

## Key Features

### Optics

- Starlight illumination
- Day/night functionality
- Smart IR, up to 50m (164ft) IR distance
- Up to 120 dB Optical WDR (Wide Dynamic Range)
- 2D/3D DNR (Digital Noise Reduction)

### Compression

- Ultra 265, H.265, H.264, MJPEG
- Triple streams
- ROI (Region of Interest)
- 9:16 corridor mode
- Customized OSD

### Network

- ONVIF Conformance

### Structure

- Support PoE power supply
- Wide temperature range: -35°C ~ 60°C (-31°F ~ 140°F)
- Wide voltage range of  $\pm 25\%$
- IP67
- 3-Axis



[www.iid2secure.nl](http://www.iid2secure.nl)  
Extra Benefits, Less Price  
Finestrat,19, 03530 La Nucua, Alicante, Spain  
© IID Secure Tech S.L.U. 2019

Heemtedestraat 16 Amsterdam, Netherlands  
Support@iid2secure.nl  
+31614762425  
Data Subject to change without notice



## Specifications

| Camera                  |   |            |                |               |                   |
|-------------------------|---|------------|----------------|---------------|-------------------|
| Sensor                  | 1/2.7", 5.0 megapixel, progressive scan, CMOS   |            |                |               |                   |
| Lens                    | 2.7 ~ 13.5mm, AF automatic focusing and motorized zoom lens   |            |                |               |                   |
| DORI Distance           | Lens (mm)   | Detect (m) | Observe (m)    | Recognize (m) | Identify (m)      |
|                         | 2.7   | 60.8       | 24.3           | 12.2          | 6.1               |
|                         | 13.5  | 303.8      | 121.5          | 60.8          | 30.4              |
| Angle of View (H)       | 93.38° ~ 28.56°   |            |                |               |                   |
| Angle of View (V)       | 88° ~ 16.4°   |            |                |               |                   |
| Angle of View (O)       | 121.4° ~ 33.7°  |            |                |               |                   |
| Adjustment angle        | Pan: 0° ~ 360°  |            | Tilt: 0° ~ 90° |               | Rotate: 0° ~ 360° |
| Shutter                 | Auto/Manual, shutter time: 1 ~ 1/100000s  |            |                |               |                   |
| Minimum Illumination    | Colour: 0.002Lux (F1.2, AGC ON)<br>0Lux with IR on  |            |                |               |                   |
| Day/Night               | IR-cut filter with auto switch (ICR)  |            |                |               |                   |
| Digital noise reduction | 2D/3D DNR   |            |                |               |                   |
| S/N                     | >52 dB  |            |                |               |                   |
| IR Range                | Up to 50m (164ft) IR range  |            |                |               |                   |
| Defog                   | Digital Defog   |            |                |               |                   |
| WDR                     | 120dB   |            |                |               |                   |
| Video                   |   |            |                |               |                   |
| Video Compression       | Ultra 265, H.265, H.264, MJPEG  |            |                |               |                   |
| H.264 code profile      | Baseline profile, Main Profile, High Profile  |            |                |               |                   |
| Frame Rate              | Main Stream: 5MP (2592*1944), Max 20fps; 5MP (2592*1944), Max 25fps (WDR OFF); 4MP (2560*1440), Max 30fps;<br>3MP (2048*1536), Max 30fps; 2MP (1920*1080), Max 30fps;<br>Sub Stream: 2MP (1920*1080), Max 30fps;<br>Third Stream: D1 (720*765), Max 30fps |            |                |               |                   |
| 9:16 Corridor Mode      | Supported   |            |                |               |                   |
| HLC                     | Supported   |            |                |               |                   |
| BLC                     | Supported   |            |                |               |                   |
| OSD                     | Up to 8 OSDs  |            |                |               |                   |
| Privacy Mask            | Up to 8 areas   |            |                |               |                   |
| ROI                     | Up to 8 areas   |            |                |               |                   |
| Motion Detection        | Up to 4 areas   |            |                |               |                   |

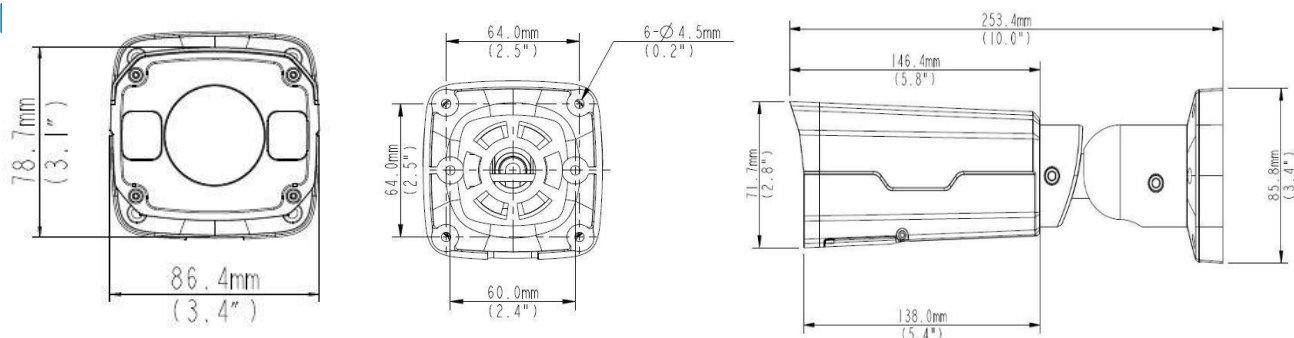


[www.iid2secure.nl](http://www.iid2secure.nl)  
 Extra Benefits, Less Price  
 Finestrat, 19, 03530 La Nucia, Alicante, Spain  
 © IID Secure Tech S.L.U. 2019

Heemtedestraat 16 Amsterdam, Netherlands  
[Support@iid2secure.nl](mailto:Support@iid2secure.nl)  
 +31614762425  
 Data Subject to change without notice



|                        |  |
|------------------------|--|
| <b>Audio</b>           |  |
| Audio Compression      | G.711  |
| Two-way audio          | Supported  |
| Suppression            | Supported  |
| Sampling Rate          | 8KHZ   |
| <b>Storage</b>         |  |
| Edge Storage           | Micro SD, up to 256GB  |
| Network Storage        | ANR  |
| <b>Network</b>         |  |
| Protocols              | IPv4, IGMP, ICMP, ARP, TCP, UDP, DHCP, PPPoE, RTP, RTSP, RTCP, DNS, DDNS, NTP, FTP, UPnP, HTTP, HTTPS, SMTP, 802.1x, SNMP, QoS |
| Compatible Integration | ONVIF (Profile S, Profile G, Profile T), API   |
| <b>Interface</b>       |  |
| Audio I/O              | Input: impedance 35kΩ; amplitude 2V [p-p]  |
|                        | Output: impedance 600Ω; amplitude 2V [p-p]   |
| Alarm I/O              | 1/1  |
| Network                | 1 RJ45 10M/100M Base-TX Ethernet   |
| <b>General</b>         |  |
| Power                  | DC 12V±25%, PoE (IEEE 802.3af)   |
|                        | Power consumption: Max 10W   |
| Dimensions (L × W × H) | 253.4 × 86 × 71.7mm (9.98" × 3.4" × 2.8")  |
| Weight                 | 1.0kg (2.2lb)  |
| Working Environment    | -35°C ~ 60°C (-31°F ~ 140°F), Humidity: ≤95% RH (non-condensing)   |
| Ingress Protection     | IP67   |



www.iid2secure.nl  
 Extra Benefits, Less Price  
 Finestrat,19, 03530 La Nucia, Alicante, Spain  
 © IID Secure Tech S.L.U. 2019

Heemtedestraat 16 Amsterdam, Netherlands  
 Support@iid2secure.nl  
 +31614762425  
 Data Subject to change without notice

